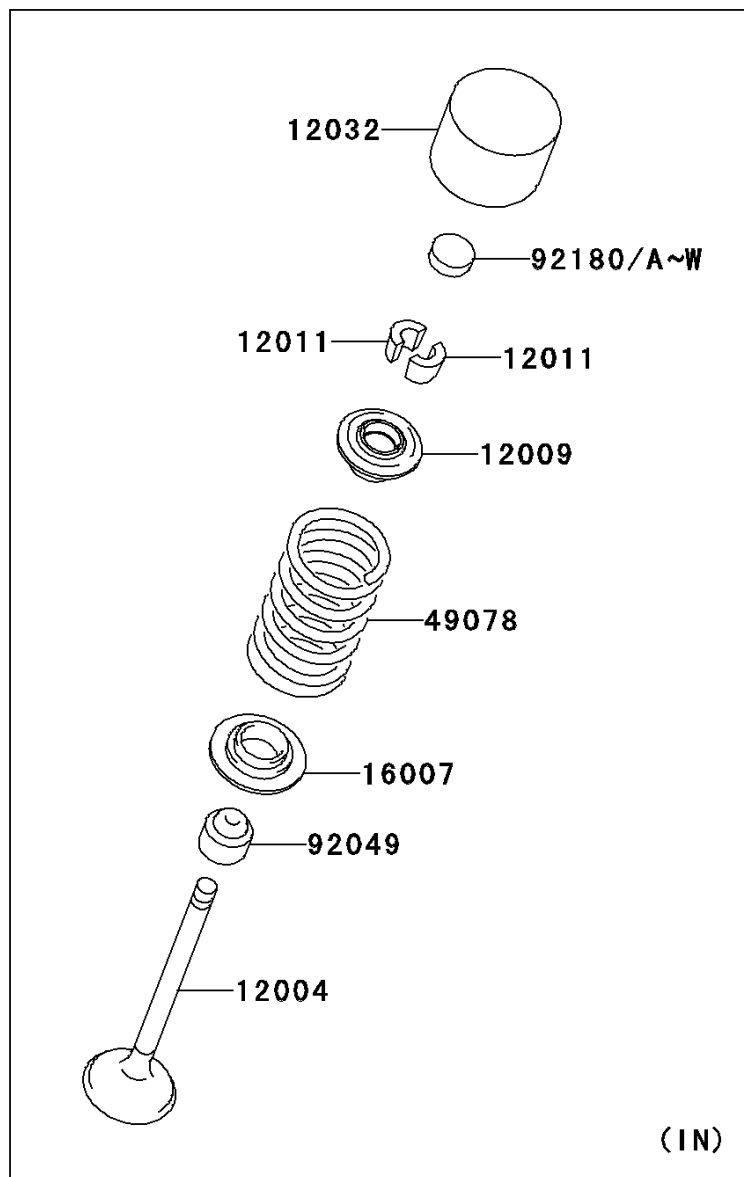
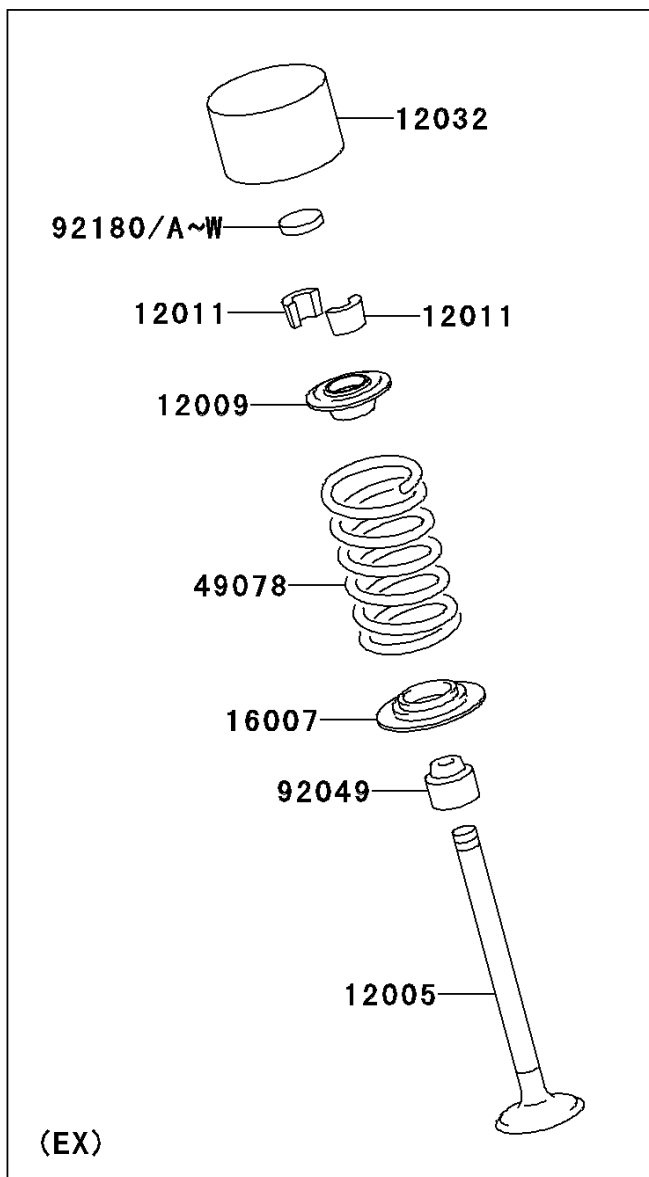


2009 Z750 (European)

PARTS DIAGRAM

Valve(s)

E1210



2009 Z750 (European)

PARTS LIST

Valve(s)

ITEM NAME

PART NUMBER

QUANTITY
