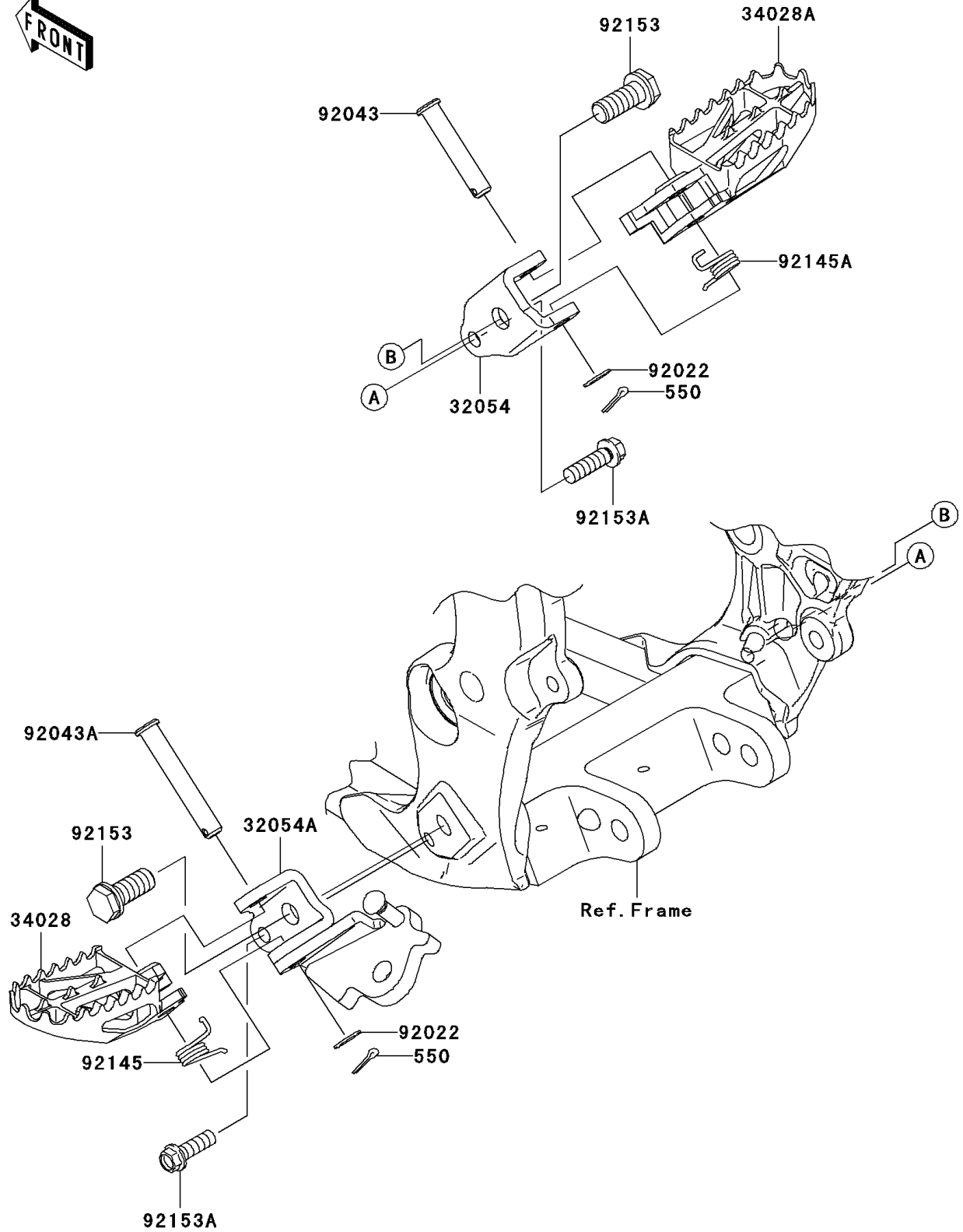


2008 KLX[®] 450R

PARTS DIAGRAM

Footrests

F2160



2008 KLX[®] 450R

PARTS LIST

Footrests

ITEM NAME

PART NUMBER

QUANTITY
