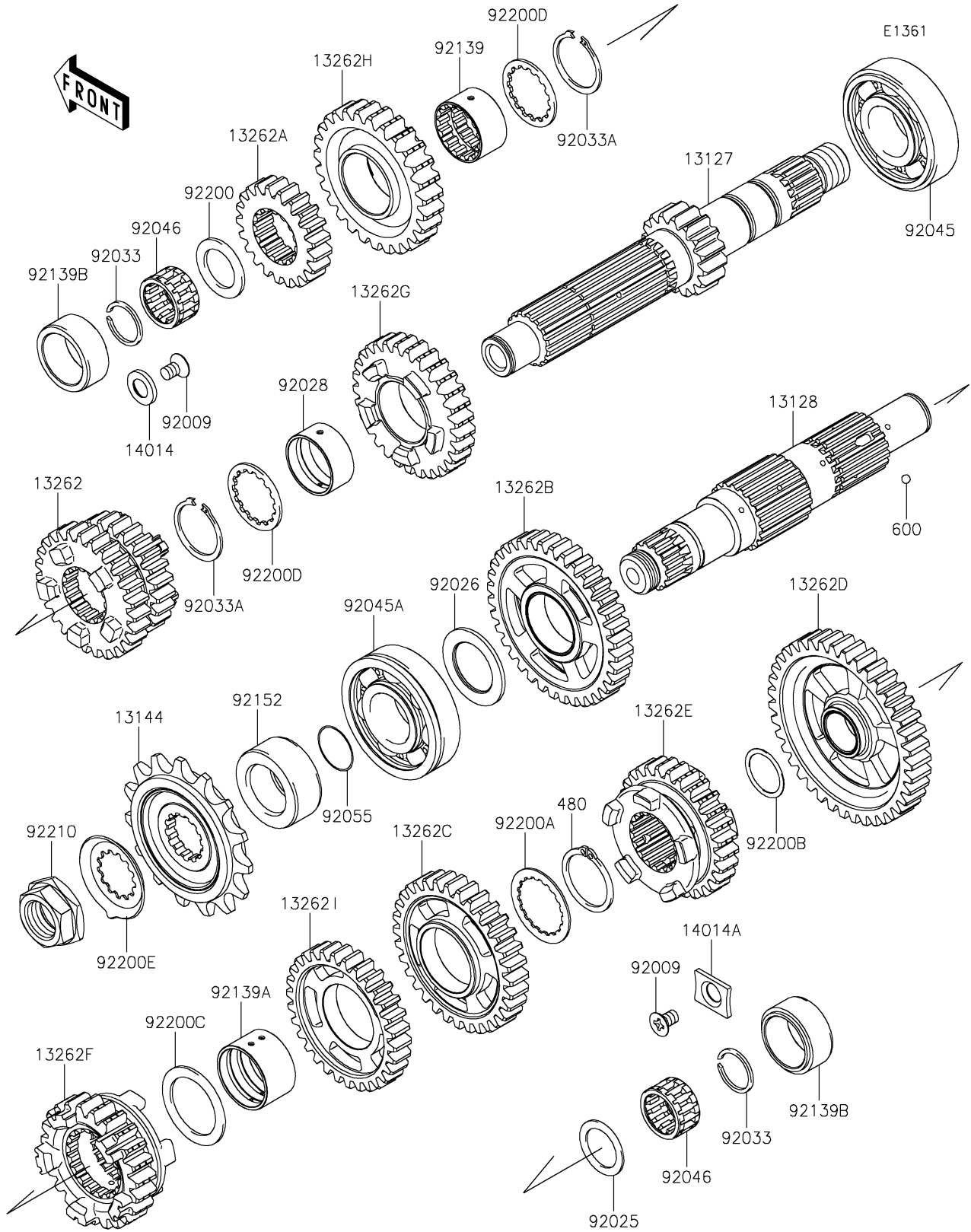


# 2023 Vulcan® S CAFÉ

## PARTS DIAGRAM

### Transmission



# 2023 Vulcan® S CAFÉ

## PARTS LIST

### Transmission

**ITEM NAME**

**PART NUMBER**

**QUANTITY**

---