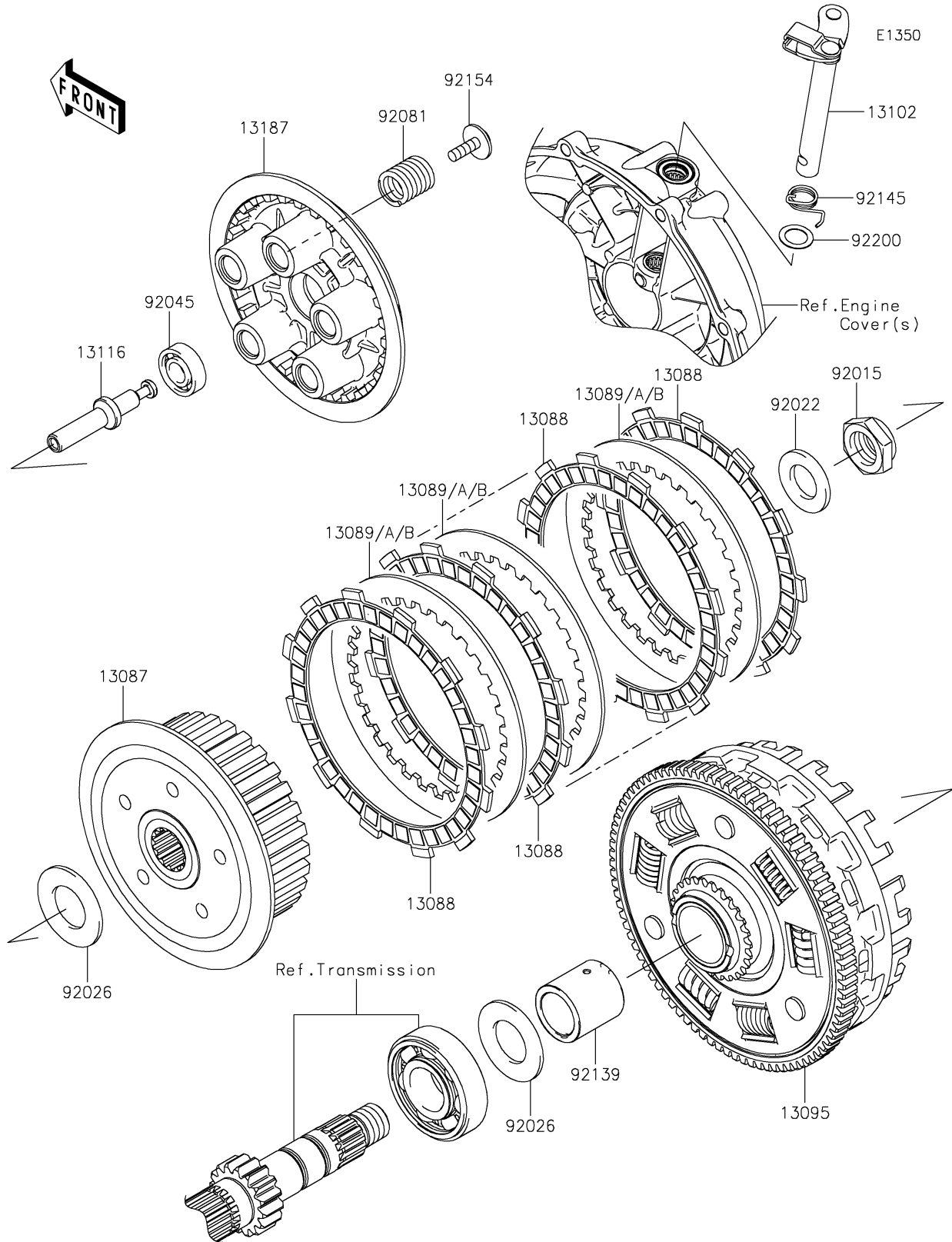


# 2023 Vulcan® S CAFÉ

## PARTS DIAGRAM

### Clutch



# 2023 Vulcan<sup>®</sup> S CAFÉ

## PARTS LIST

### Clutch

**ITEM NAME**

**PART NUMBER**

**QUANTITY**

---