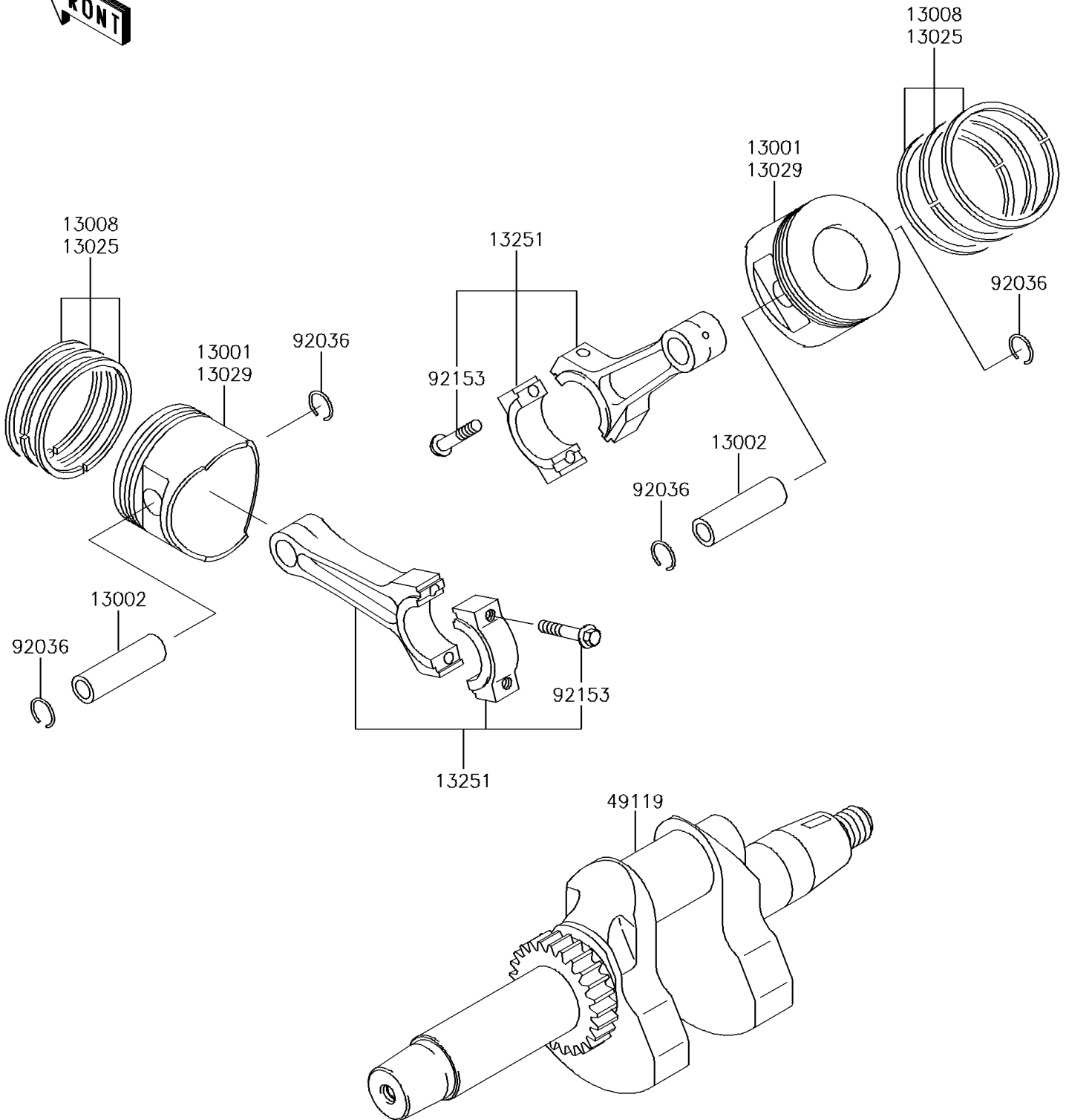


2018 MULE™ 4010 4x4 SE

PARTS DIAGRAM Crankshaft/Piston(s)

E1320



2018 MULE™ 4010 4x4 SE

PARTS LIST

Crankshaft/Piston(s)

| ITEM NAME | PART NUMBER | QUANTITY |
|--------------------------------------|-------------|----------|
| PISTON-ENGINE,STD (Ref # 13001) | 13001-2210 | 2 |
| PIN-PISTON (Ref # 13002) | 13002-1013 | 2 |
| RING-SET-PISTON,STD (Ref # 13008) | 13008-6025 | 2 |
| RING-SET-PISTON L,0.50 (Ref # 13025) | 13025-6008 | AR |
| PISTON-ENGINE L,0.50 (Ref # 13029) | 13029-0033 | AR |
| ROD-ASSY-CONNECTING (Ref # 13251) | 13251-0034 | 2 |
| CRANKSHAFT-ASSY (Ref # 49119) | 49119-0015 | 1 |
| RING-SNAP,PISTON PIN (Ref # 92036) | 92036-021 | 4 |
| BOLT,7X35.2 (Ref # 92153) | 92153-2054 | 4 |