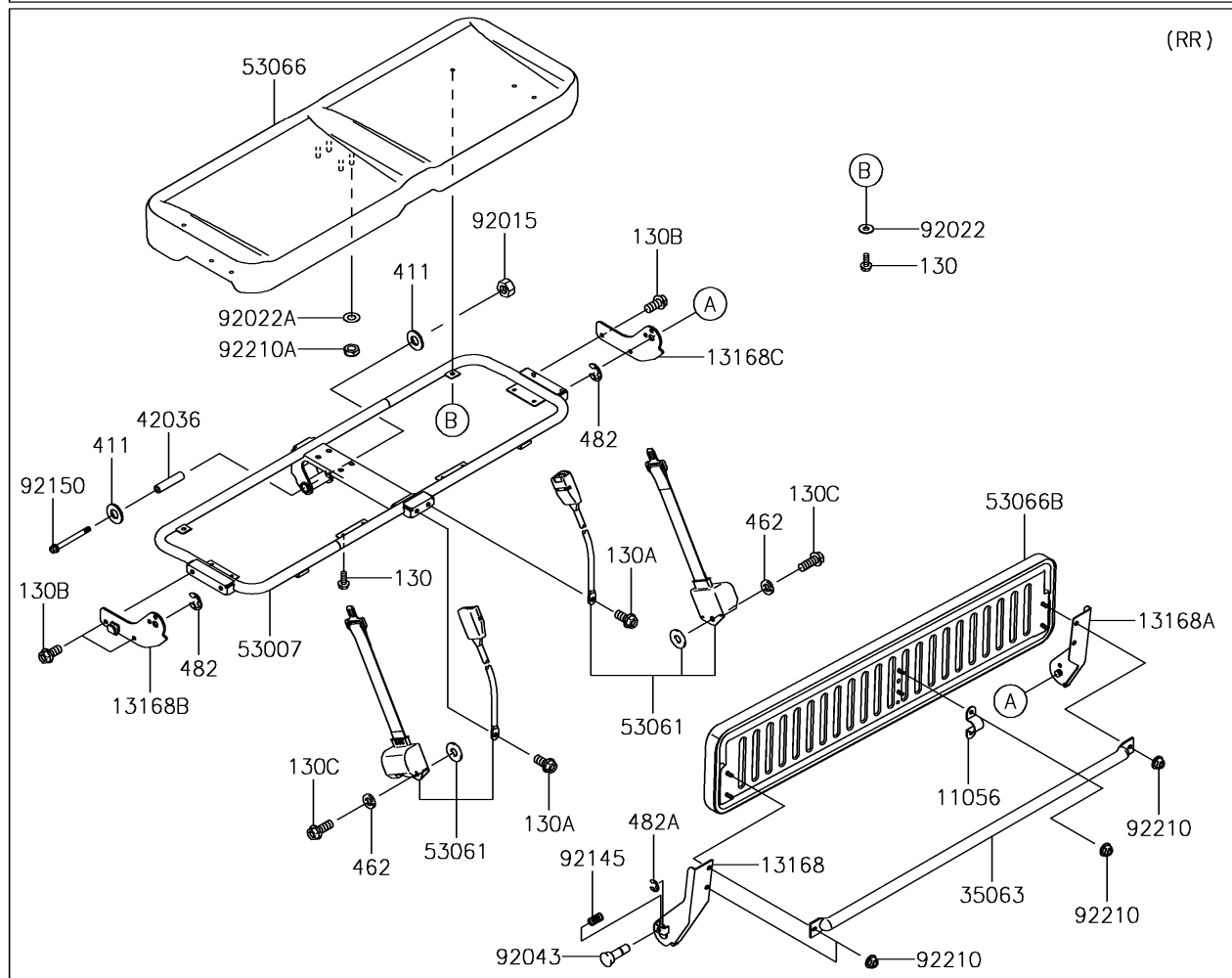
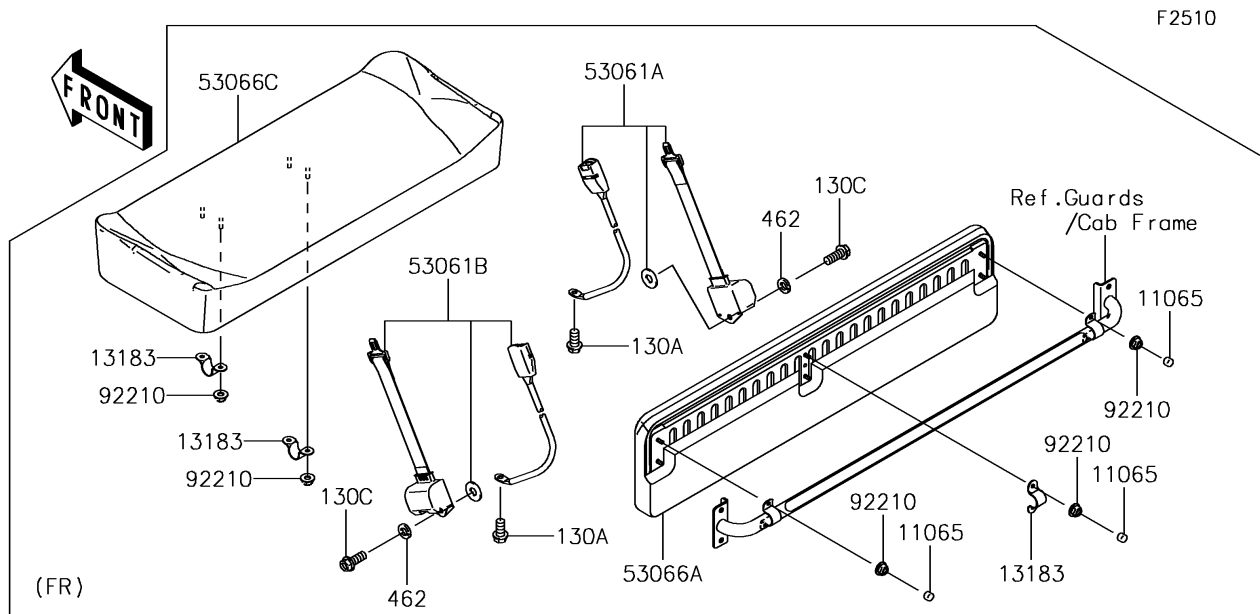


# 2018 MULE™ 4010 TRANS4x4®

## PARTS DIAGRAM

### Seat



# 2018 MULE™ 4010 TRANS4x4®

## PARTS LIST

Seat

ITEM NAME	PART NUMBER	QUANTITY
-----------	-------------	----------

---