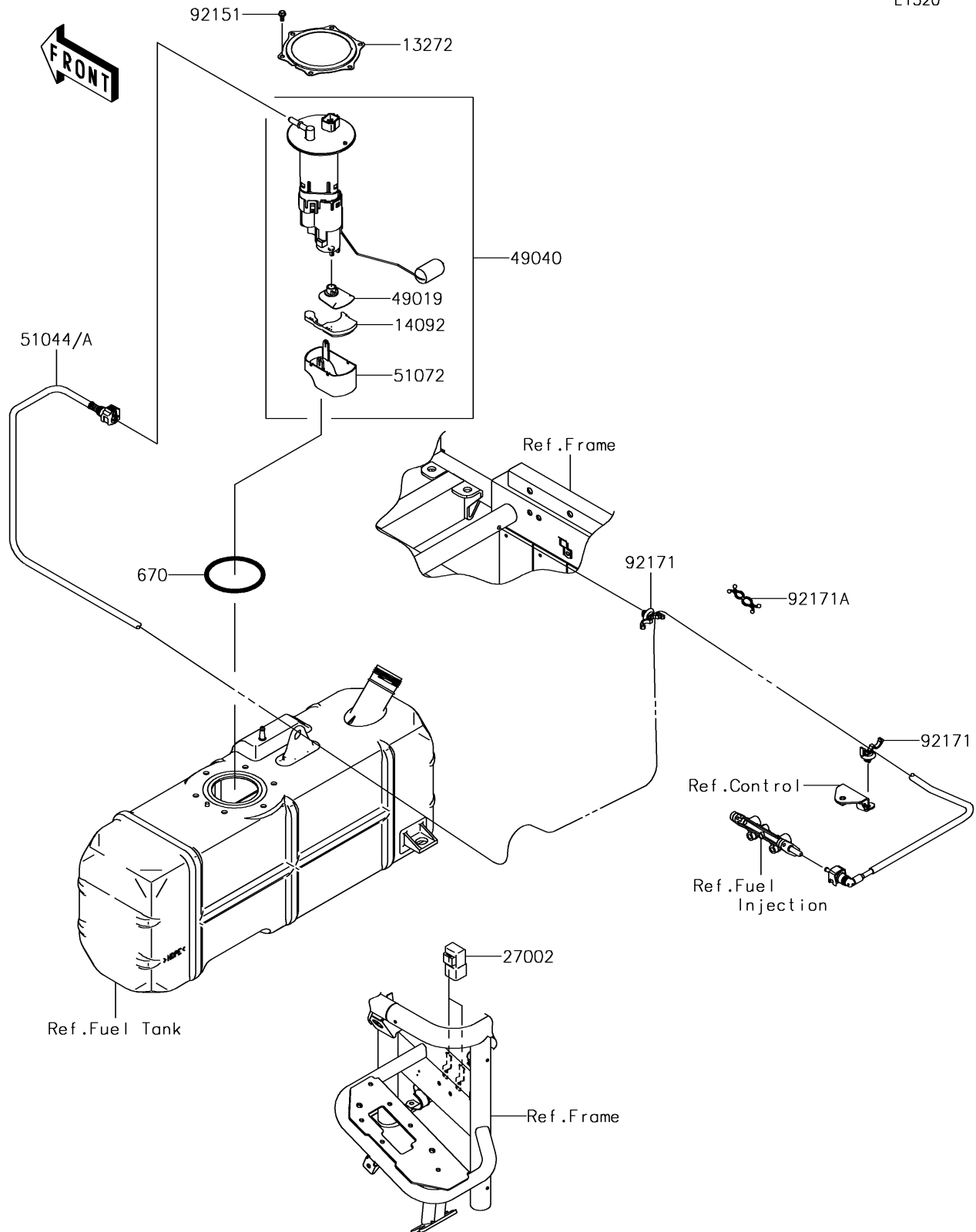


2017 MULE™ 4010 TRANS4x4®

PARTS DIAGRAM

Fuel Pump

E1520



2017 MULE™ 4010 TRANS4x4®

PARTS LIST

Fuel Pump

ITEM NAME	PART NUMBER	QUANTITY
PLATE (Ref # 13272)	13272-1398	1
COVER (Ref # 14092)	14092-1044	1
RELAY-ASSY (Ref # 27002)	27002-1088	2
FILTER-FUEL (Ref # 49019)	49019-0013	1
PUMP-FUEL (Ref # 49040)	49040-0718	1
TUBE-ASSY,FUEL (Ref # 51044)	51044-0808	1
TUBE-ASSY,FUEL (Ref # 51044A)	51044-0897	1
CHAMBER-FUEL (Ref # 51072)	51072-0003	1
BOLT,FLANGED,5X11.5 (Ref # 92151)	92151-1754	6
CLAMP (Ref # 92171)	92171-0453	2
CLAMP (Ref # 92171A)	92171-0476	1
O RING (Ref # 670)	670E5090	1