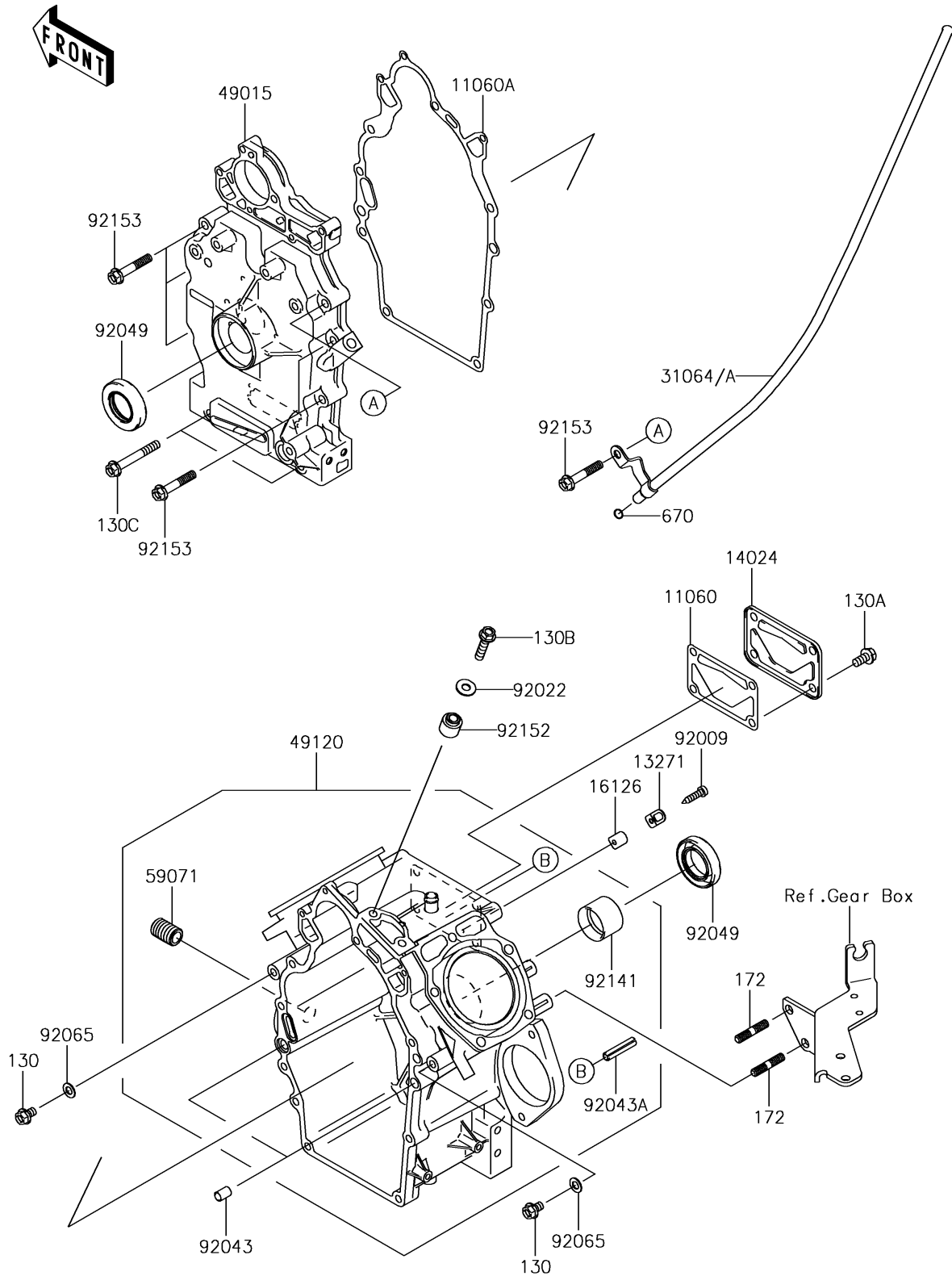


# 2017 MULE™ 4010 TRANS4x4®

## PARTS DIAGRAM

### Crankcase

E1411



# 2017 MULE™ 4010 TRANS4x4®

## PARTS LIST

### Crankcase

**ITEM NAME**

**PART NUMBER**

**QUANTITY**

---