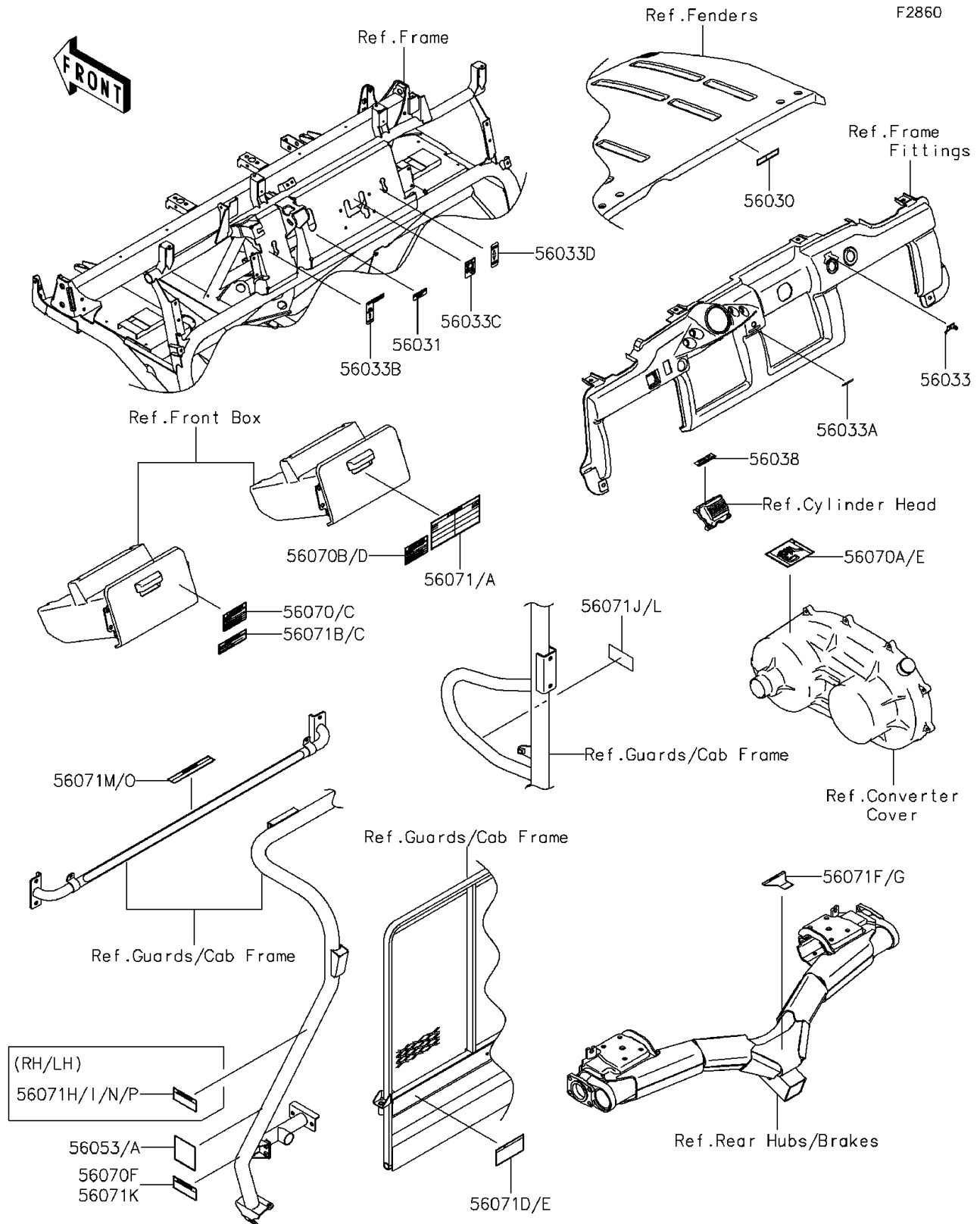


# 2014 MULE™ 4010 TRANS4x4®

## PARTS DIAGRAM

### Labels



# 2014 MULE™ 4010 TRANS4x4®

## PARTS LIST

### Labels



**ITEM NAME**

**PART NUMBER**

**QUANTITY**

---