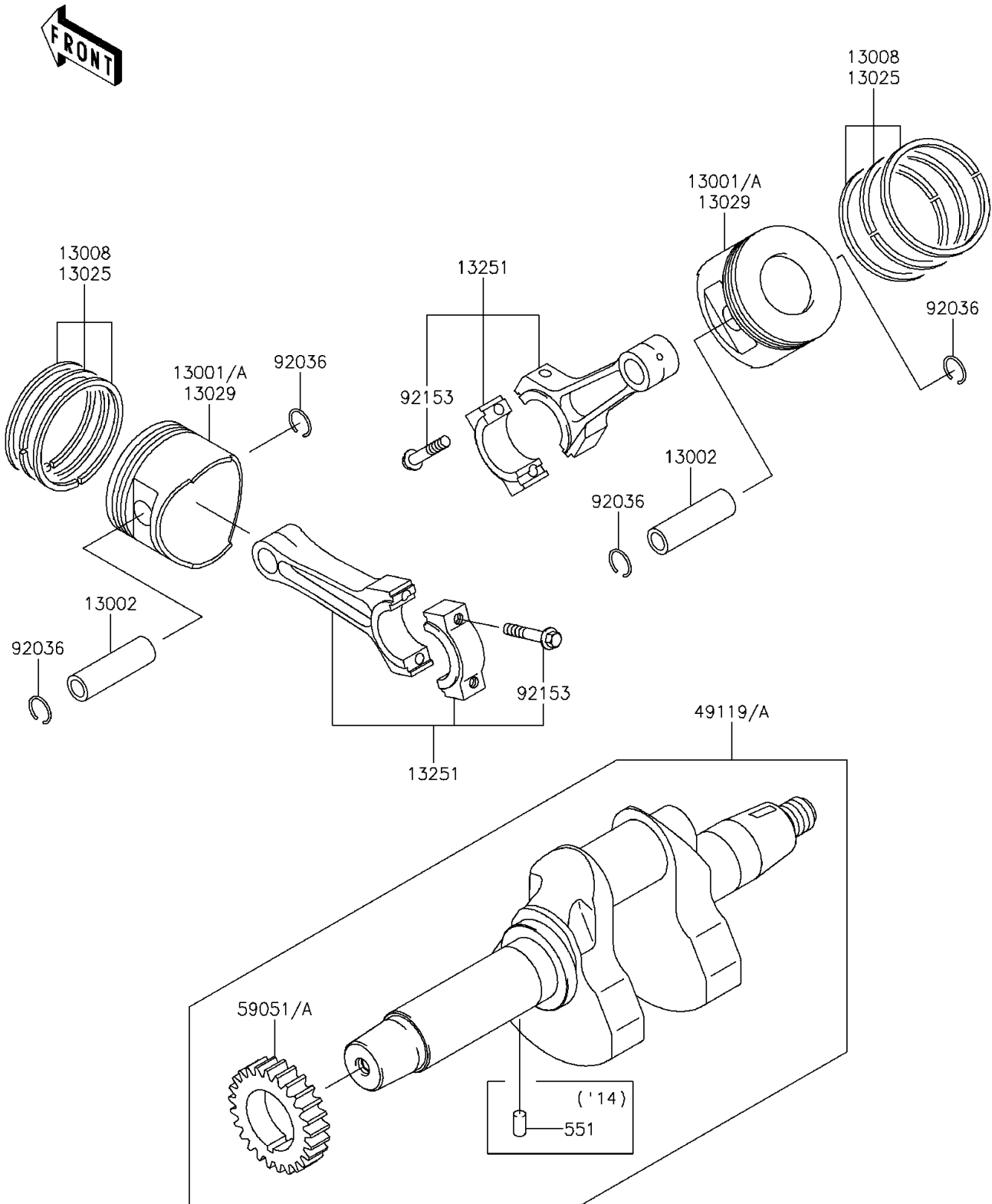


# 2015 Mule 4010 Trans4x4

## PARTS DIAGRAM Crankshaft/Piston(s)

E1320



# 2015 Mule 4010 Trans4x4

## PARTS LIST

Crankshaft/Piston(s)

**ITEM NAME**

**PART NUMBER**

**QUANTITY**

---