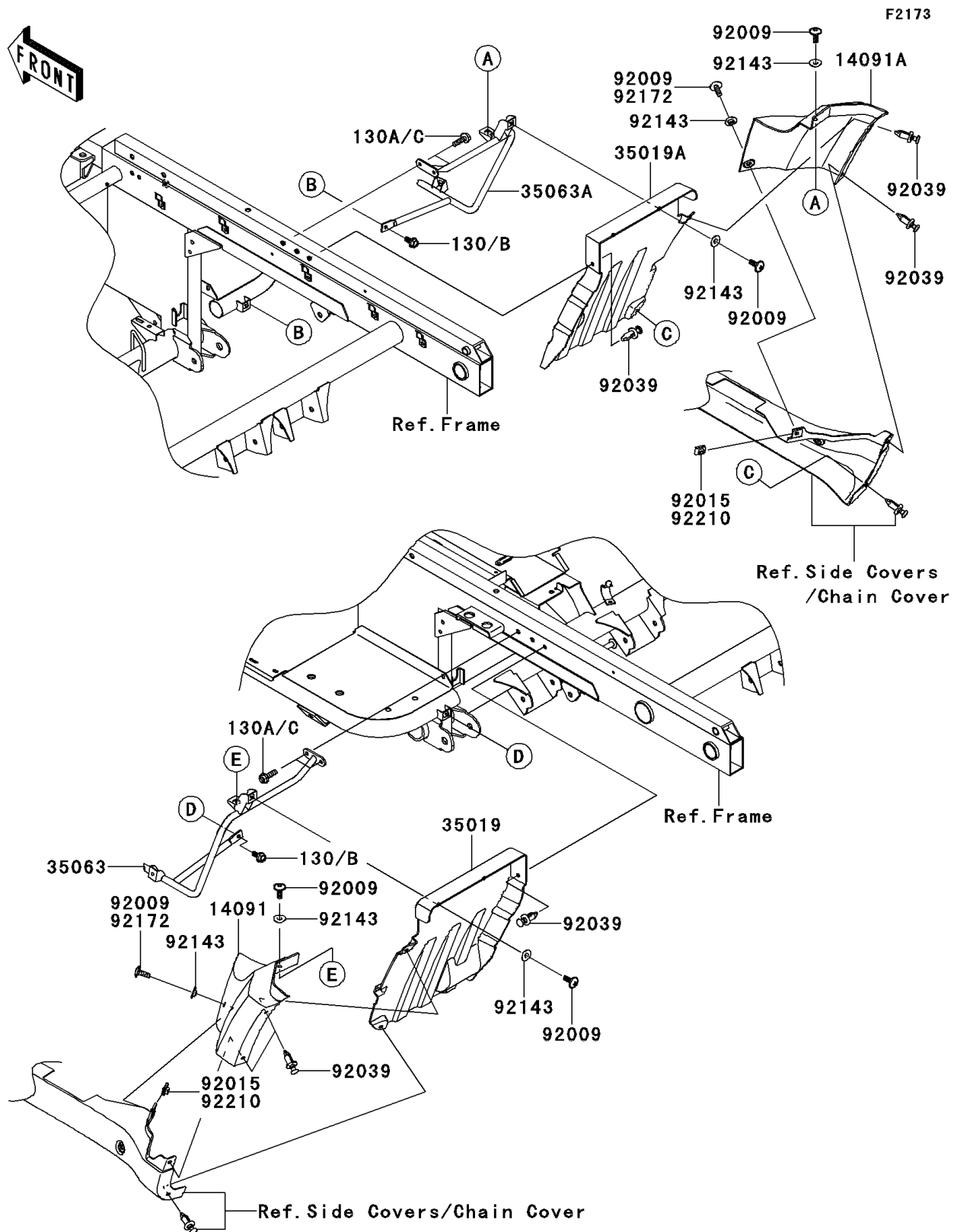


# 2011 Mule 4010 Trans4x4 Realtree APG HD

## PARTS DIAGRAM

### Flap



# 2011 Mule 4010 Trans4x4 Realtree APG HD



## PARTS LIST

Flap

ITEM NAME	PART NUMBER	QUANTITY
-----------	-------------	----------

---