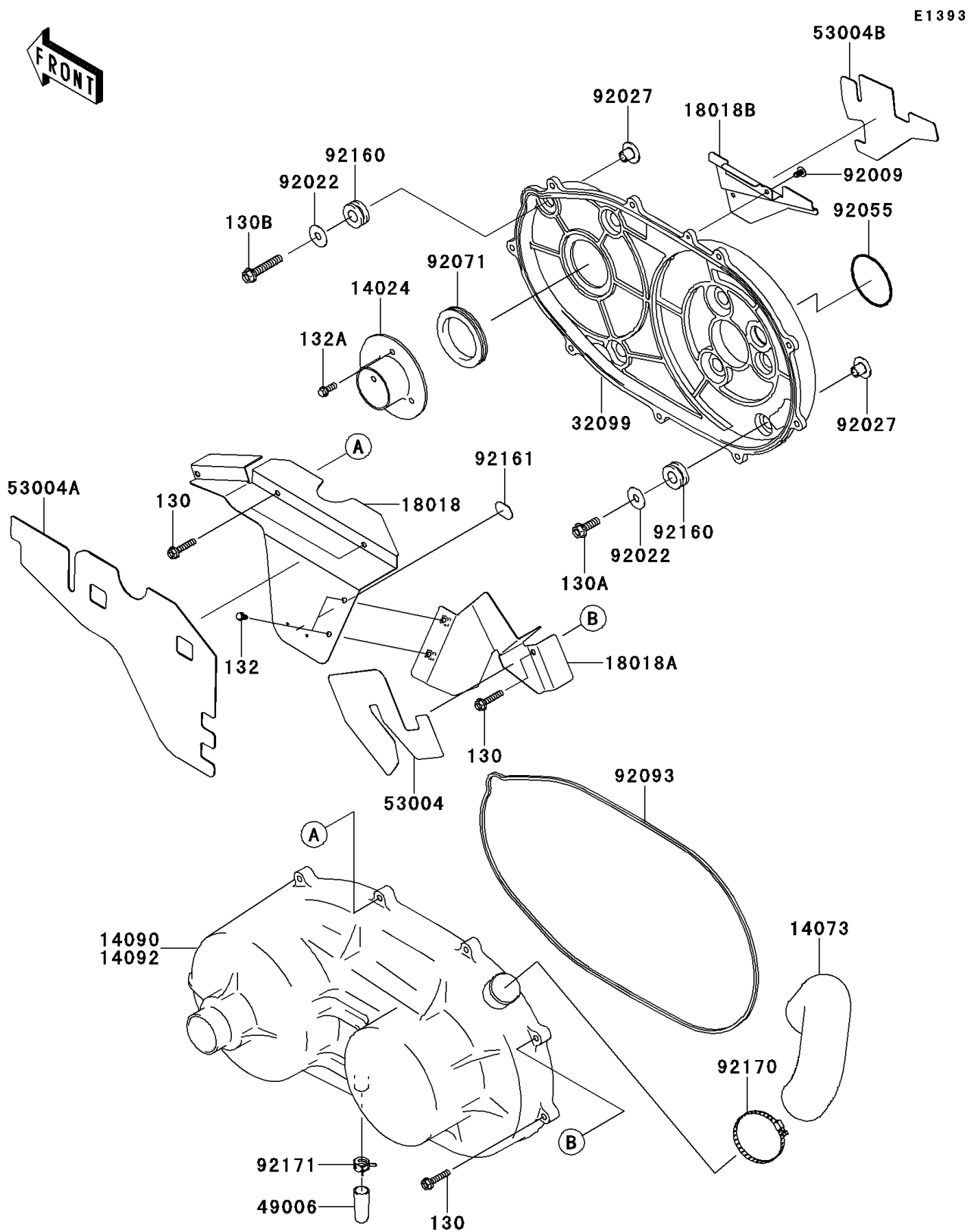


# 2011 MULE™ 4000

## PARTS DIAGRAM

### Converter Cover



# 2011 MULE™ 4000

## PARTS LIST

### Converter Cover

**ITEM NAME**

**PART NUMBER**

**QUANTITY**

---