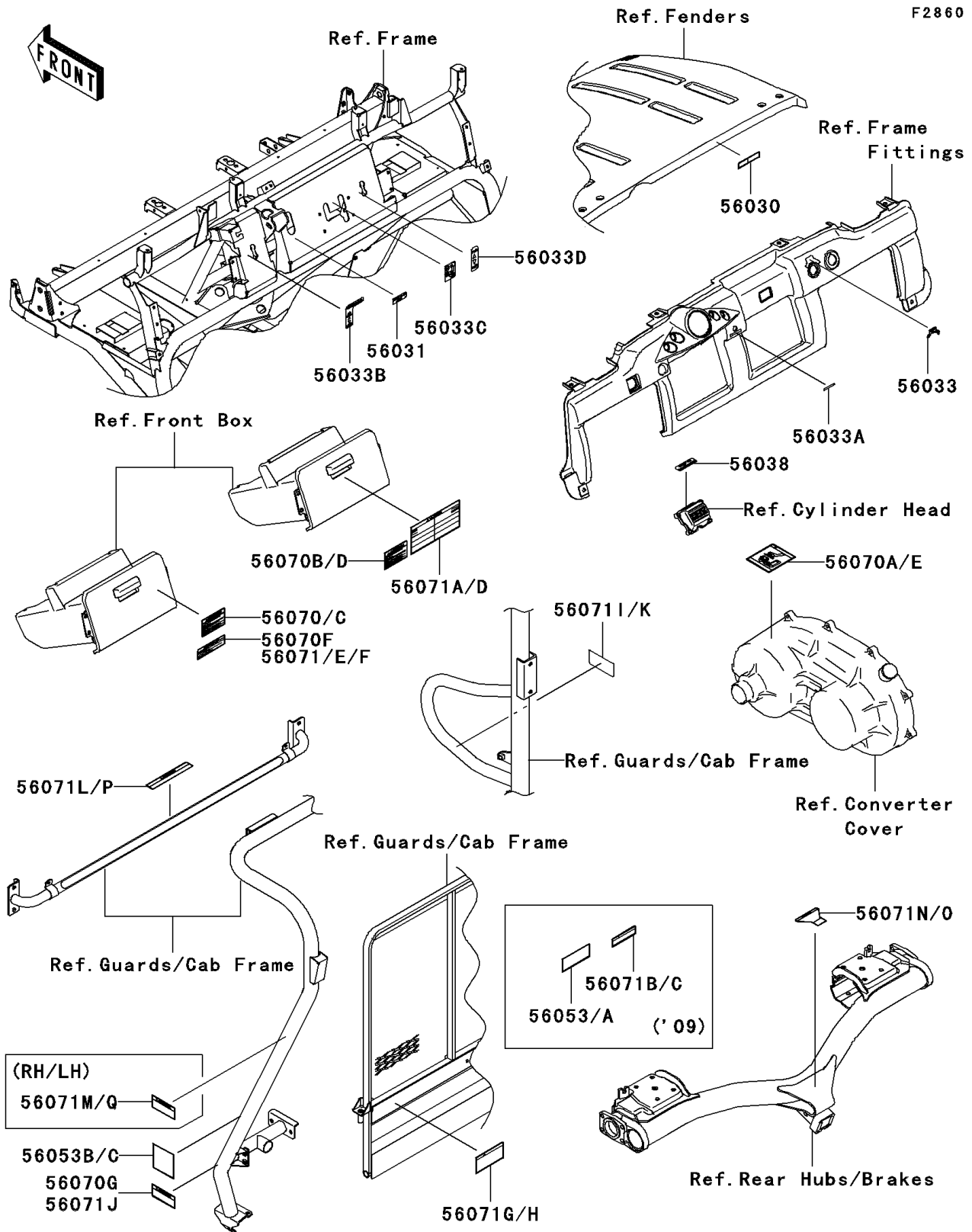


# 2010 Mule 4010 Trans4x4

## PARTS DIAGRAM

### Labels



# 2010 Mule 4010 Trans4x4

## PARTS LIST

### Labels

**ITEM NAME**

**PART NUMBER**

**QUANTITY**

---