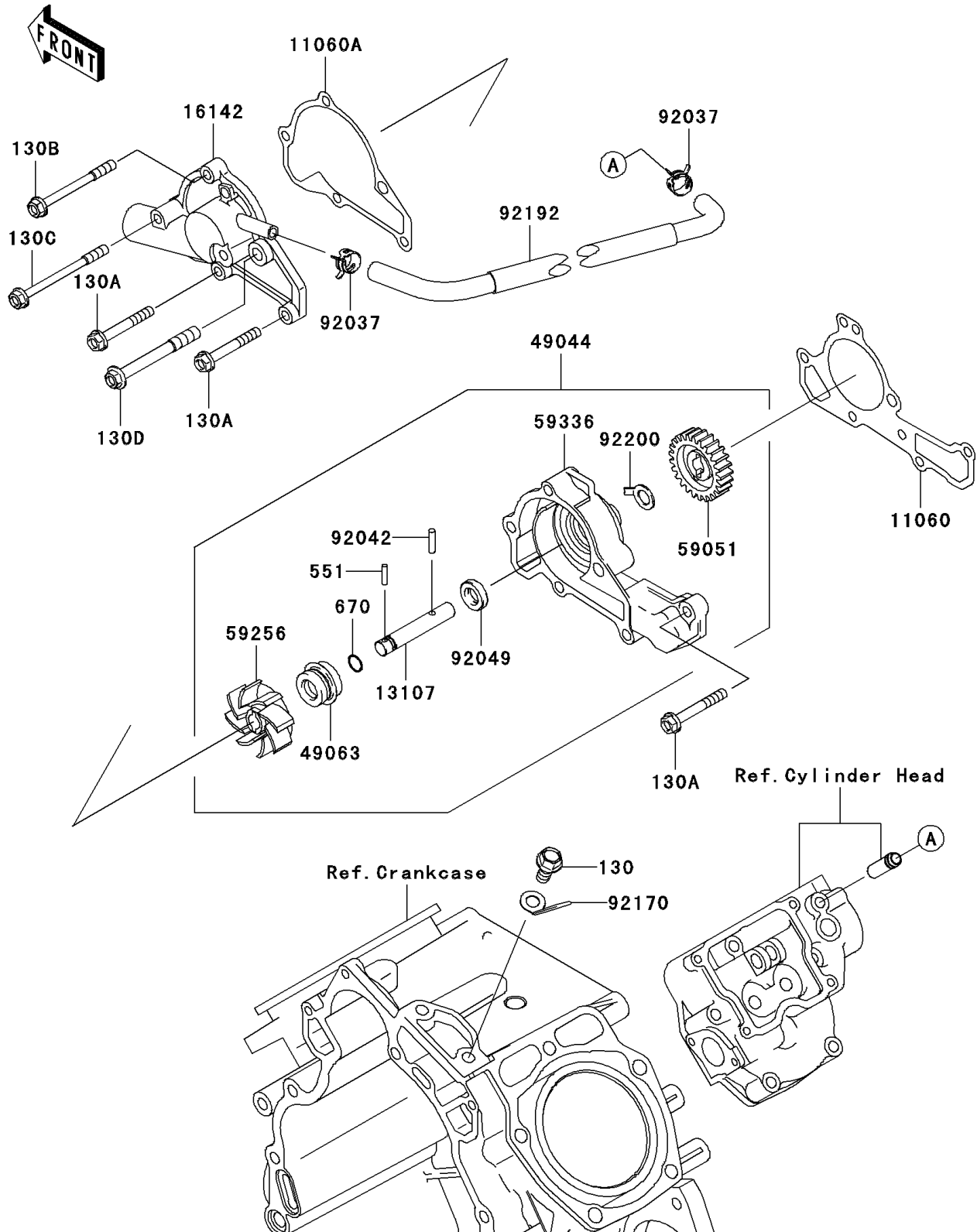


# 2009 Mule 4010 Trans4x4

## PARTS DIAGRAM

### Water Pump

E3031



# 2009 Mule 4010 Trans4x4

## PARTS LIST

### Water Pump

| ITEM NAME                        | PART NUMBER | QUANTITY |
|----------------------------------|-------------|----------|
| GASKET,PUMP CASE (Ref # 11060)   | 11060-2450  | 1        |
| GASKET,PUMP COVER (Ref # 11060A) | 11060-2451  | 1        |
| SHAFT (Ref # 13107)              | 13107-2097  | 1        |
| COVER-PUMP (Ref # 16142)         | 16142-2069  | 1        |
| PUMP-WATER (Ref # 49044)         | 49044-2066  | 1        |
| SEAL-MECHANICAL (Ref # 49063)    | 49063-1056  | 1        |
| GEAR-SPUR (Ref # 59051)          | 59051-2113  | 1        |
| IMPELLER (Ref # 59256)           | 59256-2057  | 1        |
| CASE-PUMP (Ref # 59336)          | 59336-2052  | 1        |
| CLAMP,HOSE CLIP (Ref # 92037)    | 92037-1181  | 2        |
| PIN,DOWEL,4X15.8 (Ref # 92042)   | 92042-014   | 1        |
| SEAL-OIL (Ref # 92049)           | 92049-2111  | 1        |
| CLAMP (Ref # 92170)              | 92170-2060  | 1        |
| TUBE (Ref # 92192)               | 92192-2169  | 1        |
| WASHER (Ref # 92200)             | 92200-2044  | 1        |
| BOLT-FLANGED,8X16 (Ref # 130)    | 130BA0816   | 1        |
| BOLT-FLANGED,6X45 (Ref # 130A)   | 130CA0645   | 3        |
| BOLT-FLANGED,6X65 (Ref # 130B)   | 130CA0665   | 1        |
| BOLT-FLANGED,6X75 (Ref # 130C)   | 130CA0675   | 1        |
| BOLT-FLANGED,8X70 (Ref # 130D)   | 130CA0870   | 1        |
| PIN-DOWEL,3X14 (Ref # 551)       | 551A0314    | 1        |
| O RING,7MM (Ref # 670)           | 670B1507    | 1        |