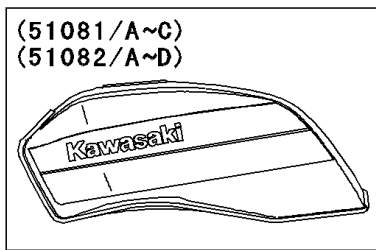
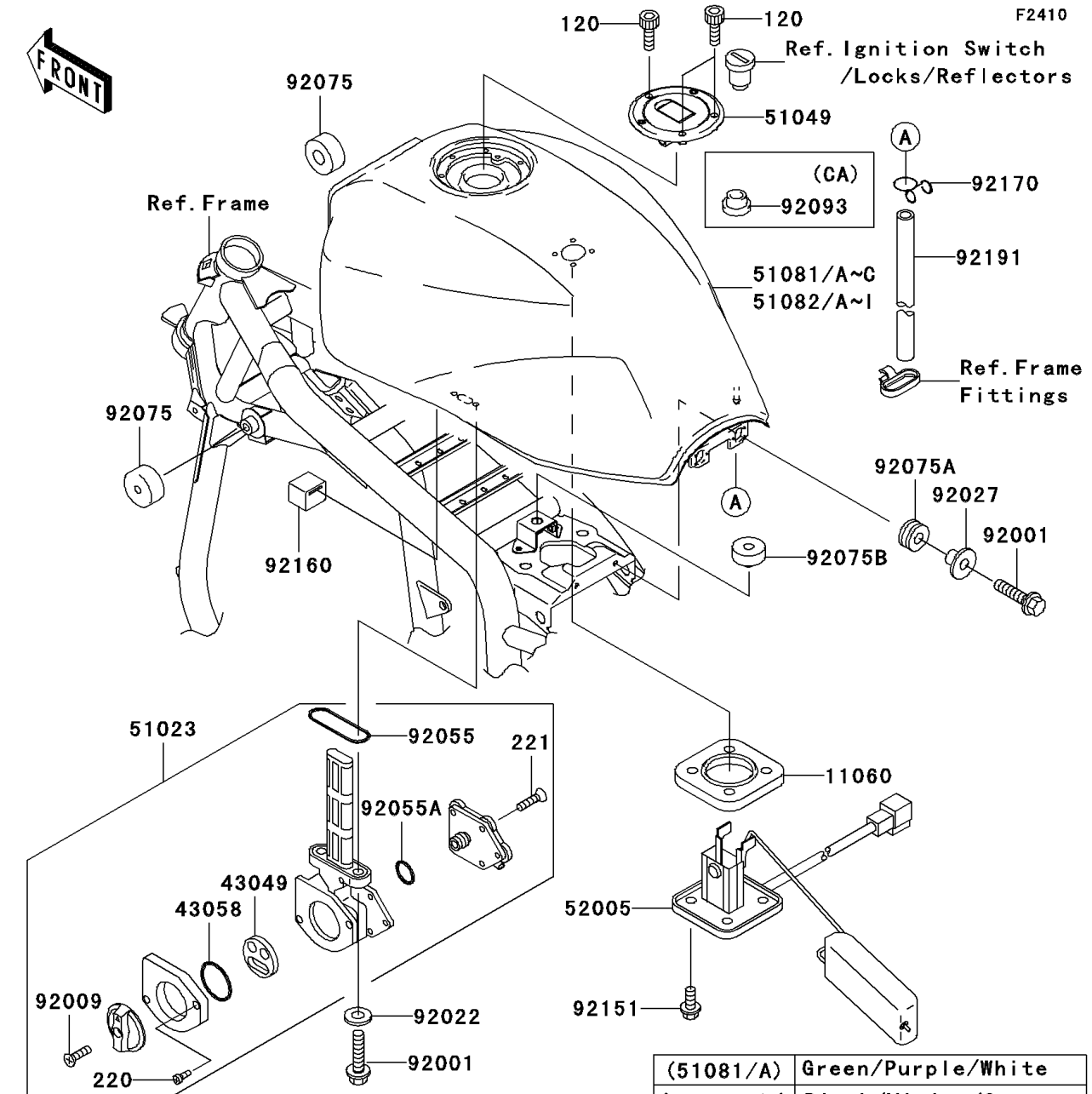


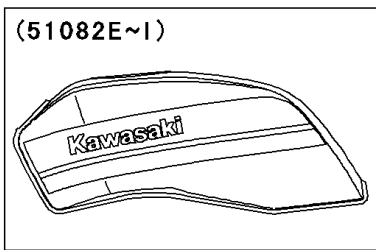
2002 ZRX1200R

PARTS DIAGRAM

Fuel Tank



WD



WD

(51081/A)	Green/Purple/White
(51081B/C)	Black/Violet/Gray
(51082/B)	Green/White /Purple (Color Shift)
(51082A/C)	Red/Silver /Purple (Color Shift)
(51082D)	Blue/White/Black
(51082E/G)	Blue
(51082F/H)	Green
(51082I)	Silver

2002 ZRX1200R

PARTS LIST

Fuel Tank

ITEM NAME	PART NUMBER	QUANTITY
GASKET,FUEL GAUGE (Ref # 11060)	11060-1952	1
PACKING,TAP VALVE (Ref # 43049)	43049-1075	1
RING,TAP LEVER (Ref # 43058)	43058-1083	1
TAP-ASSY,FUEL (Ref # 51023)	51023-1260	1
CAP-TANK,FUEL (Ref # 51049)	51049-1127	1
BOLT-SOCKET (Ref # 120)	120S0516	3
SCREW-PAN-CROS (Ref # 220)	220B0308	2
SCREW-CSK-CROS,4X14 (Ref # 221)	221B0414	5
GAUGE,FUEL (Ref # 52005)	52005-1145	1
BOLT,6X25 (Ref # 92001)	92001-1524	4
SCREW,4X12 (Ref # 92009)	92009-1742	1
WASHER,6.2X11X1.5 (Ref # 92022)	92022-183	2
COLLAR,L=13.1 (Ref # 92027)	92027-251	2
RING-O,FUEL TAP PACKING (Ref # 92055)	92055-1112	1
RING-O (Ref # 92055A)	92055-1649	1
DAMPER,FUEL TANK (Ref # 92075)	92075-101	2
DAMPER (Ref # 92075A)	92075-1690	2
DAMPER (Ref # 92075B)	92075-1737	1
BOLT,FLANGED,5X12 (Ref # 92151)	92151-1599	4
DAMPER (Ref # 92160)	92160-1626	1
CLAMP,TUBE (Ref # 92170)	92170-1834	1
TUBE,7X12X600 (Ref # 92191)	92191-1138	1
TANK-COMP-FUEL,GREEN/WHITE (Ref # 51082)	51082-5114-QP	1
TANK-COMP-FUEL,RED/SILVER (Ref # 51082A)	51082-5115-237	1
TANK-COMP-FUEL,GREEN/WHITE (Ref # 51082B)	51082-5122-QP	1
TANK-COMP-FUEL,RED/SILVER (Ref # 51082C)	51082-5123-237	1
TANK-COMP-FUEL,BLUE/WHITE (Ref # 51082D)	51082-5192-236	1
SEAL,FUEL TANK CAP (Ref # 92093)	92093-1030	1