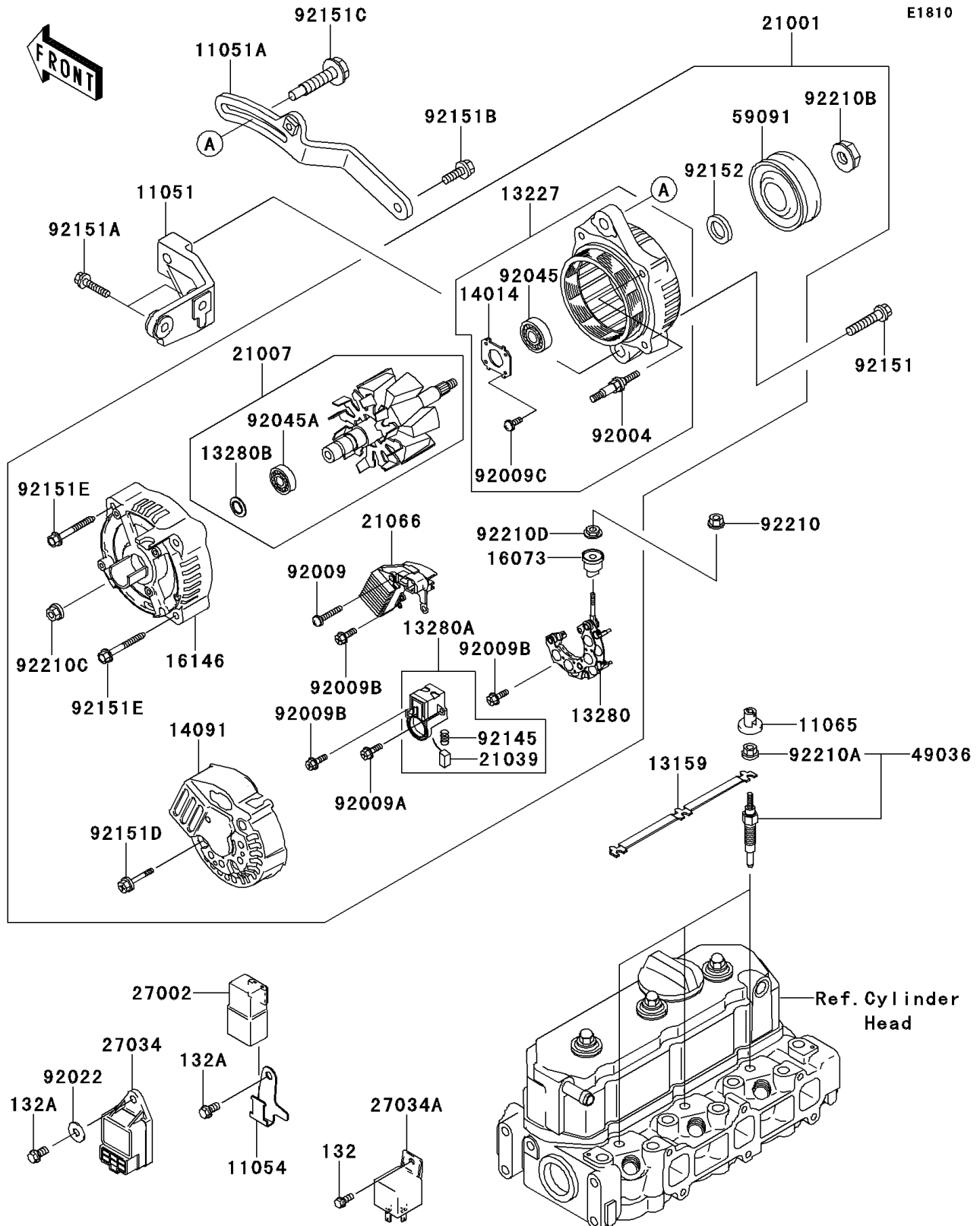


2011 MULE™ 4010 DIESEL 4x4

PARTS DIAGRAM

Generator



2011 MULE™ 4010 DIESEL 4x4

PARTS LIST

Generator

ITEM NAME	PART NUMBER	QUANTITY
BRACKET,LWR (Ref # 11051)	11051-1568	1
BRACKET,UPP (Ref # 11051A)	11051-1569	1
BRACKET (Ref # 11054)	11054-7512	1
CAP,GLOW (Ref # 11065)	11065-1150	3
CONNECTOR (Ref # 13159)	13159-1066	1
HOUSING,ALTERNATOR (Ref # 13227)	13227-1139	1
HOLDER,RECTIFIER (Ref # 13280)	13280-1173	1
HOLDER,ALTERNATOR BRUSH (Ref # 13280A)	13280-1174	1
HOLDER,BEARING (Ref # 13280B)	13280-1175	1
PLATE-POSITION (Ref # 14014)	14014-1149	1
COVER,REAR END (Ref # 14091)	14091-1207	1
INSULATOR (Ref # 16073)	16073-1122	1
COVER-ASSY,RECTIFIER (Ref # 16146)	16146-1214	1
GENERATOR (Ref # 21001)	21001-1176	1
ROTOR,ALTERNATOR (Ref # 21007)	21007-1368	1
BRUSH (Ref # 21039)	21039-1068	2
REGULATOR-VOLTAGE (Ref # 21066)	21066-1122	1
RELAY-ASSY (Ref # 27002)	27002-1086	1
RELAY,HEATING TIMER (Ref # 27034)	27034-0003	1
RELAY,GLOW (Ref # 27034A)	27034-1066	1
PLUG-GLOW (Ref # 49036)	49036-0001	3
PULLEY,ALTERNATOR (Ref # 59091)	59091-1106	1
STUD,ALTERNATOR HOUSING (Ref # 92004)	92004-1273	2
SCREW (Ref # 92009)	92009-1921	2
SCREW (Ref # 92009A)	92009-1922	1
SCREW (Ref # 92009B)	92009-1923	6
SCREW,POSITION PLATE (Ref # 92009C)	92009-1924	4
WASHER,7X18X1.2 (Ref # 92022)	92022-1545	1
BEARING-BALL,373 (Ref # 92045)	92045-1398	1

2011 MULE™ 4010 DIESEL 4x4

PARTS LIST

Generator

ITEM NAME	PART NUMBER	QUANTITY
BEARING-BALL,6002DG6 (Ref # 92045A)	92045-1399	1
SPRING,ALTERNATOR BRUSH (Ref # 92145)	92145-1312	2
BOLT,10X40 (Ref # 92151)	92151-1691	1
BOLT,8X25 (Ref # 92151A)	92151-1692	2
BOLT,8X20 (Ref # 92151B)	92151-1693	1
BOLT,8X45 (Ref # 92151C)	92151-1694	1
BOLT (Ref # 92151D)	92151-1715	3
BOLT (Ref # 92151E)	92151-1716	2
COLLAR (Ref # 92152)	92152-1230	1
NUT,6MM (Ref # 92210)	92210-1210	1
NUT,GLOW PLUG,4MM (Ref # 92210A)	92210-1218	3
NUT,PULLEY (Ref # 92210B)	92210-1232	1
NUT (Ref # 92210C)	92210-1233	2
NUT (Ref # 92210D)	92210-1234	1
BOLT-FLANGED-SMALL,5X12 (Ref # 132)	132BB0512	1
BOLT-FLANGED-SMALL,6X12 (Ref # 132A)	132BB0612	2