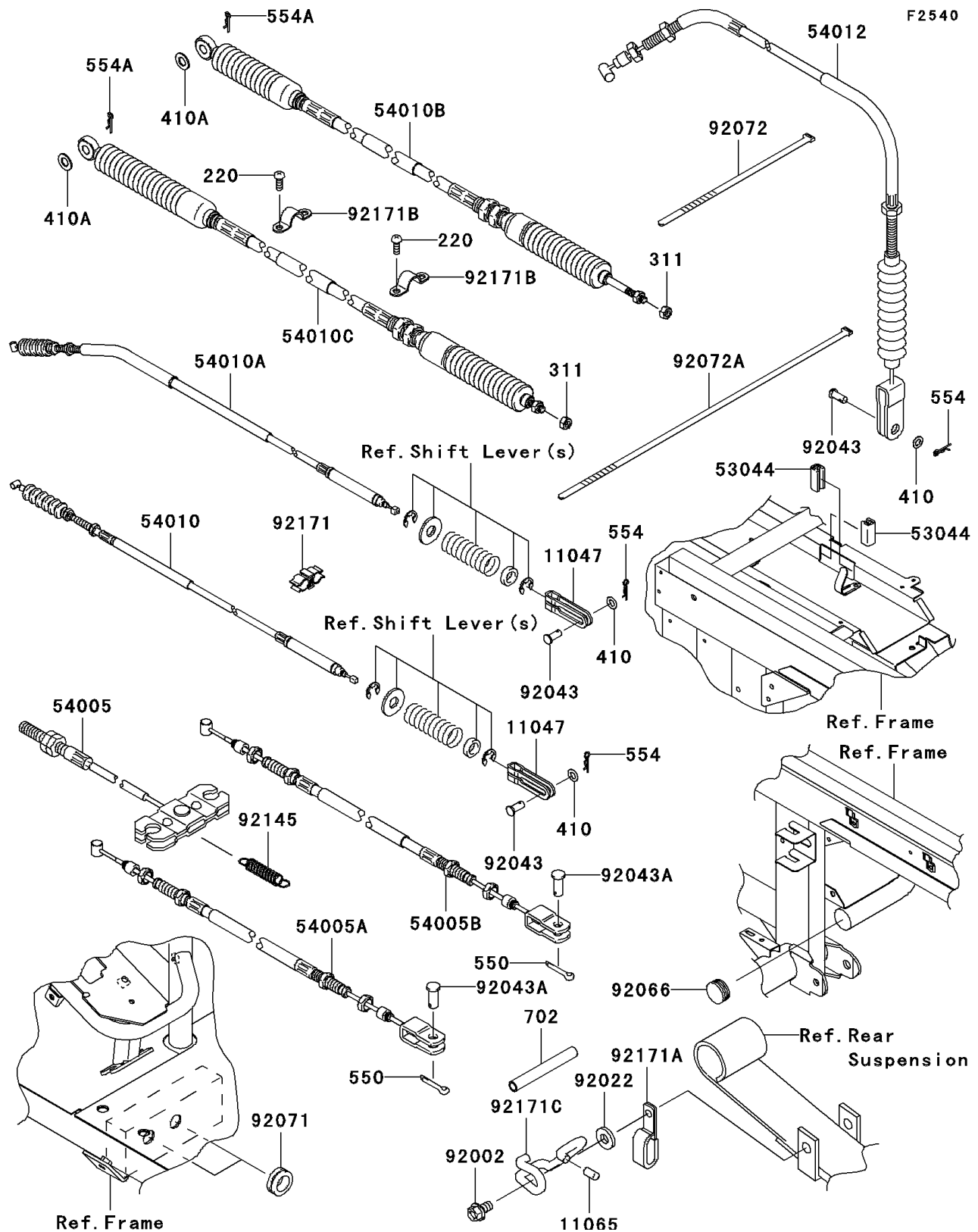


# 2008 Mule 3010 Trans4x4 Diesel

## PARTS DIAGRAM

### Cables



# 2008 Mule 3010 Trans4x4 Diesel



## PARTS LIST

### Cables

ITEM NAME	PART NUMBER	QUANTITY
-----------	-------------	----------

---