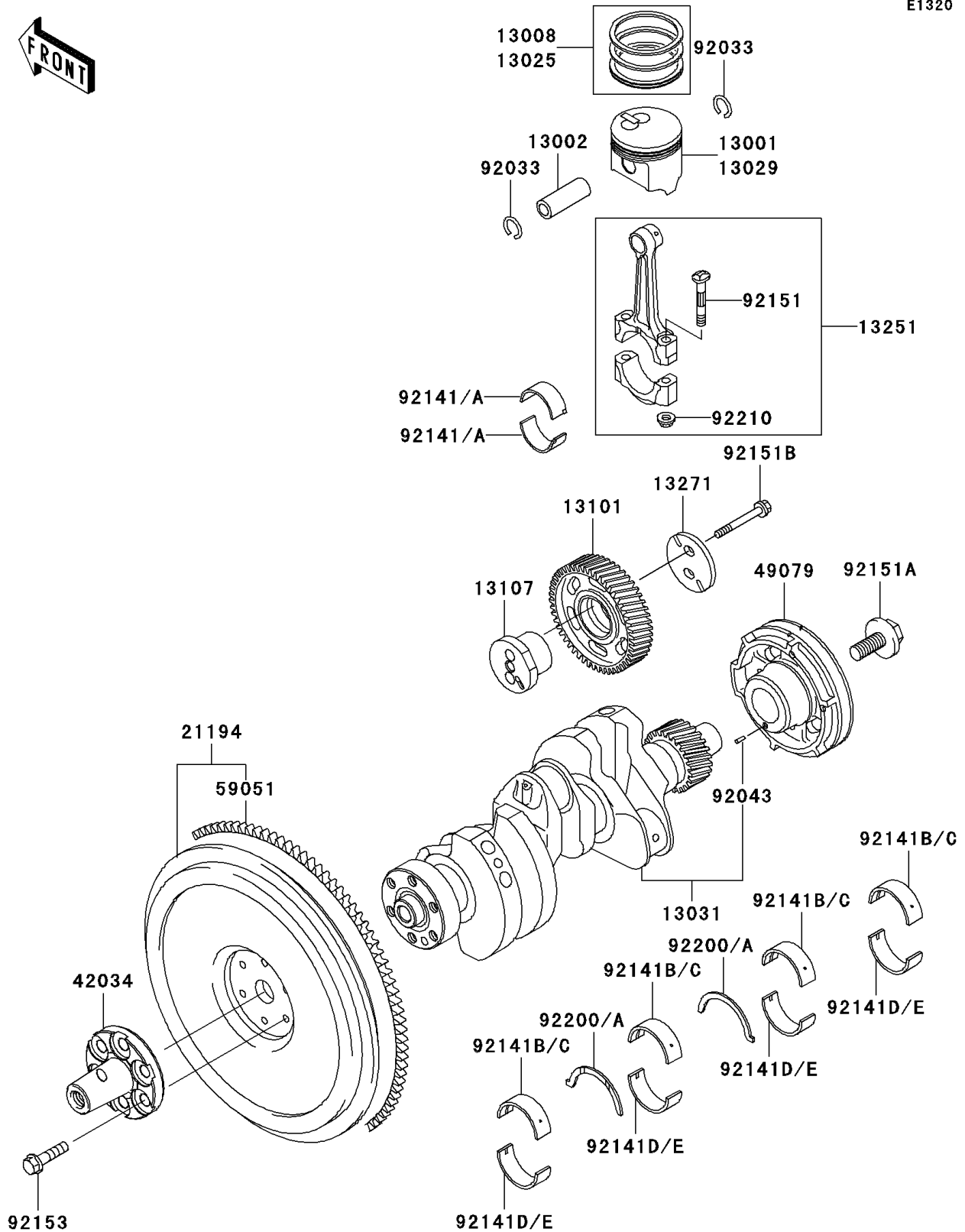


# 2008 Mule 3010 Diesel 4X4

## PARTS DIAGRAM Crankshaft/Piston(s)



E1320



# 2008 Mule 3010 Diesel 4X4

## PARTS LIST

### Crankshaft/Piston(s)

ITEM NAME	PART NUMBER	QUANTITY
-----------	-------------	----------

---