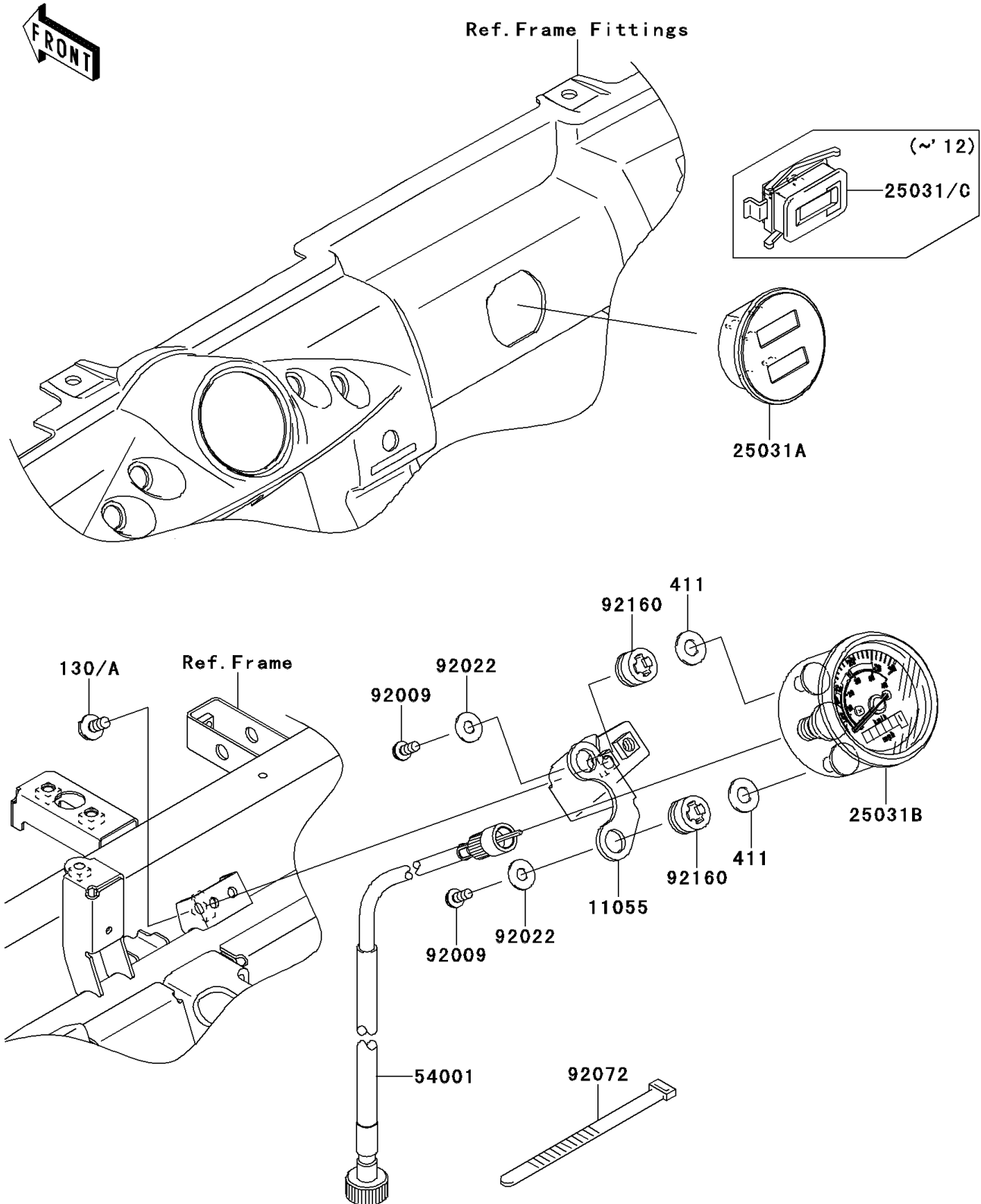


# 2009 Mule™ 4010 Trans4x4® Diesel

## PARTS DIAGRAM

Meter(s)

F2530



# 2009 Mule™ 4010 Trans4x4® Diesel



## PARTS LIST

Meter(s)

ITEM NAME	PART NUMBER	QUANTITY
-----------	-------------	----------

---