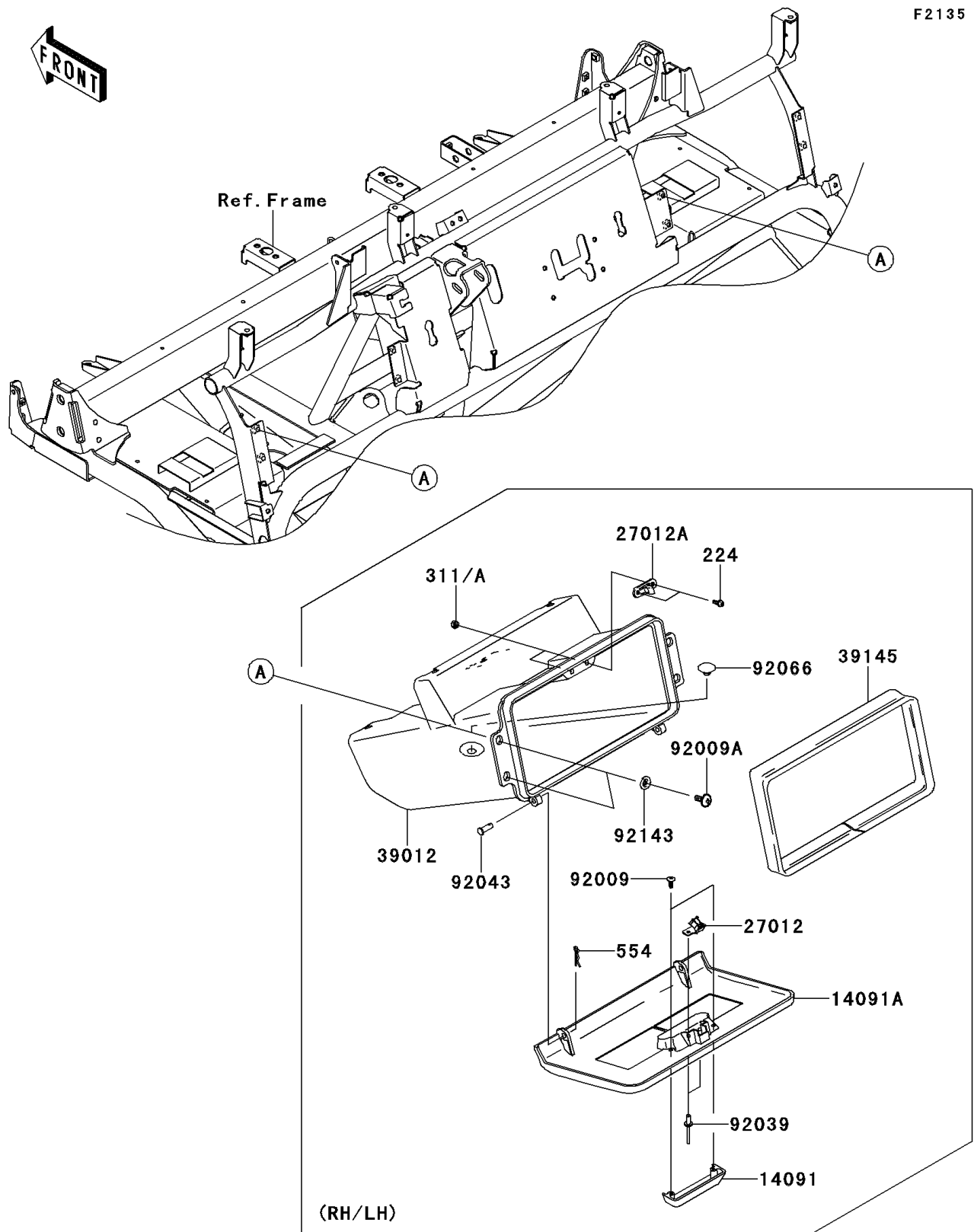


# 2009 Mule™ 4010 Trans4x4® Diesel

## PARTS DIAGRAM

### Front Box



# 2009 Mule™ 4010 Trans4x4® Diesel



## PARTS LIST

### Front Box

ITEM NAME	PART NUMBER	QUANTITY
-----------	-------------	----------

---