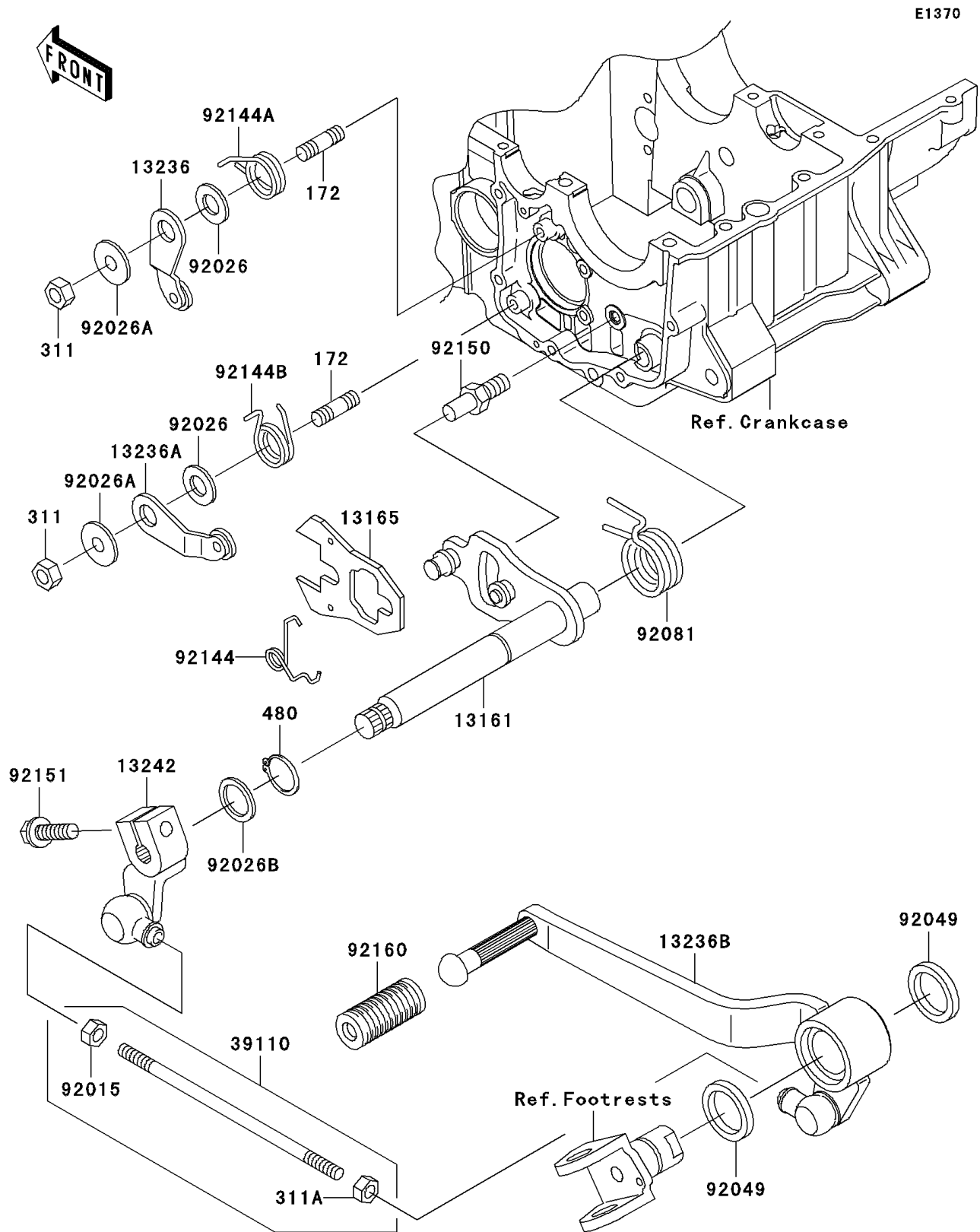


2002 ZRX1200R

PARTS DIAGRAM

Gear Change Mechanism



2002 ZRX1200R

PARTS LIST

Gear Change Mechanism

ITEM NAME	PART NUMBER	QUANTITY
BOLT-STUD,6X14 (Ref # 172)	172G0614	2
NUT-HEX,6MM (Ref # 311)	311G0600	2
NUT-HEX (Ref # 311A)	311J0600	1
CIRCLIP-TYPE-C,13MM (Ref # 480)	480J1300	1
LEVER-COMP-CHANGE SHAFT (Ref # 13161)	13161-1155	1
PAWL (Ref # 13165)	13165-1120	1
LEVER-COMP,GEAR POSITION (Ref # 13236)	13236-1103	1
LEVER-COMP,GEAR POSITION (Ref # 13236A)	13236-1216	1
LEVER-COMP,PEDAL (Ref # 13236B)	13236-1365	1
LEVER-ASSY-CHANGE,LINK (Ref # 13242)	13242-1323	1
ROD-ASSY-TIE (Ref # 39110)	39110-1106	1
NUT (Ref # 92015)	92015-1178	1
SPACER,6.3X12X1.0 (Ref # 92026)	92026-094	2
SPACER (Ref # 92026A)	92026-1217	2
SPACER,13.3X18X1.0 (Ref # 92026B)	92026-1532	1
SEAL-OIL (Ref # 92049)	92049-1492	2
SPRING,CHANGE PEDAL RETURN (Ref # 92081)	92081-1869	1
SPRING (Ref # 92144)	92144-1029	1
SPRING (Ref # 92144A)	92144-1856	1
SPRING,GEAR POSITION (Ref # 92144B)	92144-1857	1
BOLT,RETURN SPRING (Ref # 92150)	92150-1869	1
BOLT,6X20 (Ref # 92151)	92151-1450	1
DAMPER,CHANGE PEDAL (Ref # 92160)	92160-1036	1