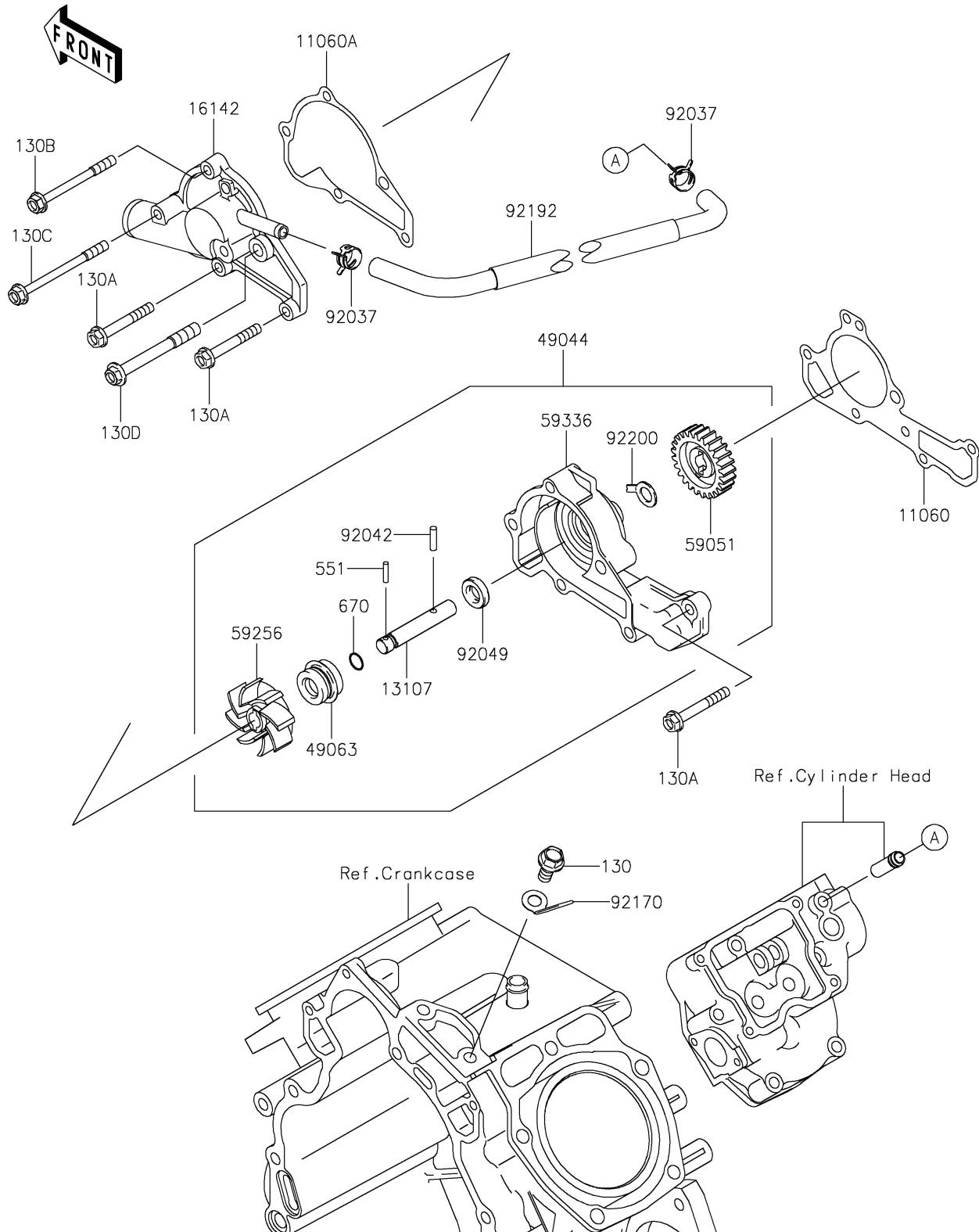


2020 MULE™ 4010 TRANS4x4®

PARTS DIAGRAM

Water Pump

E3031



2020 MULE™ 4010 TRANS4x4®

PARTS LIST

Water Pump

ITEM NAME	PART NUMBER	QUANTITY
-----------	-------------	----------
