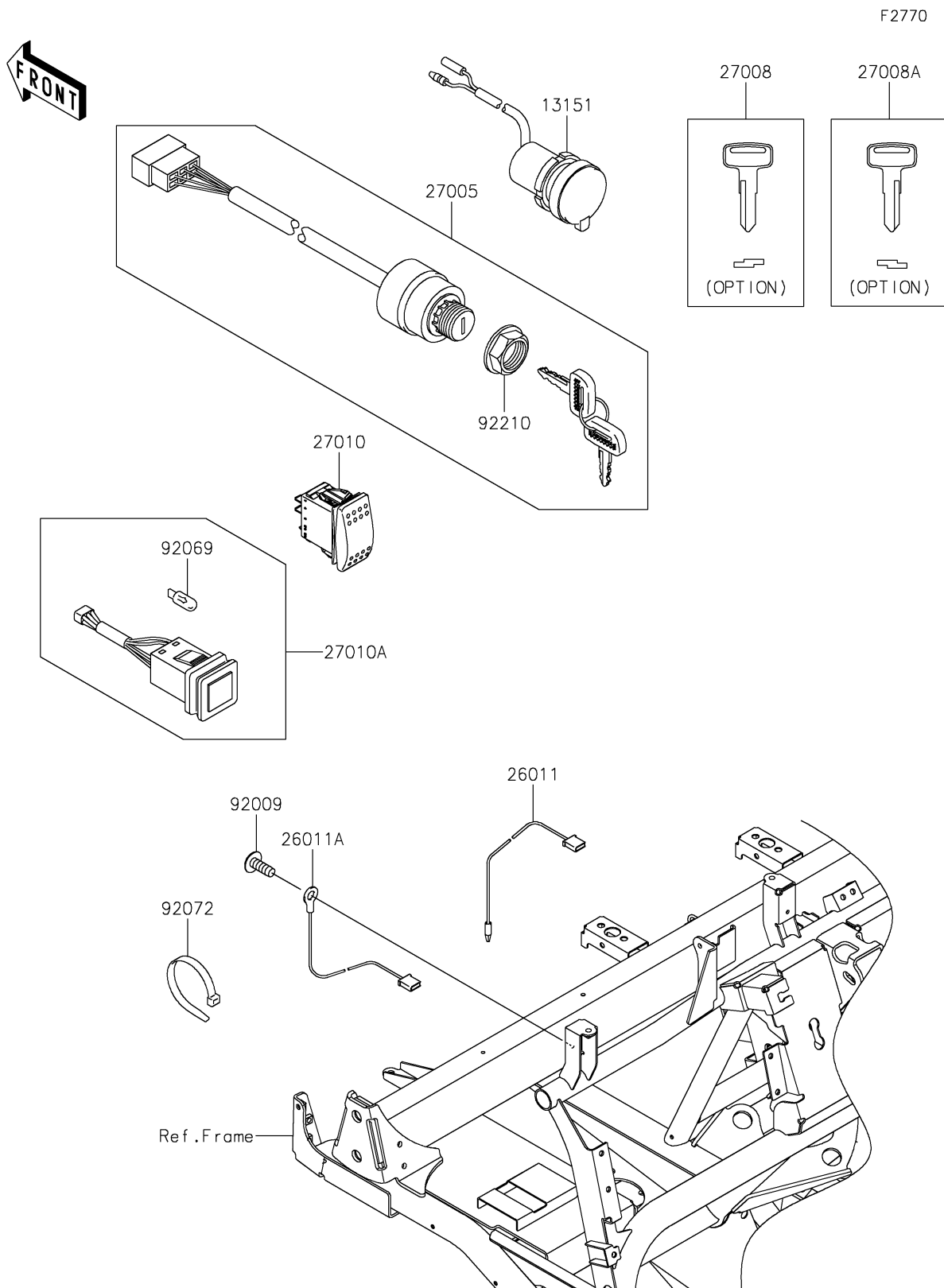


# 2020 MULE™ 4010 4x4

## PARTS DIAGRAM

### Ignition Switch



# 2020 MULE™ 4010 4x4

## PARTS LIST

### Ignition Switch

ITEM NAME	PART NUMBER	QUANTITY
-----------	-------------	----------

---