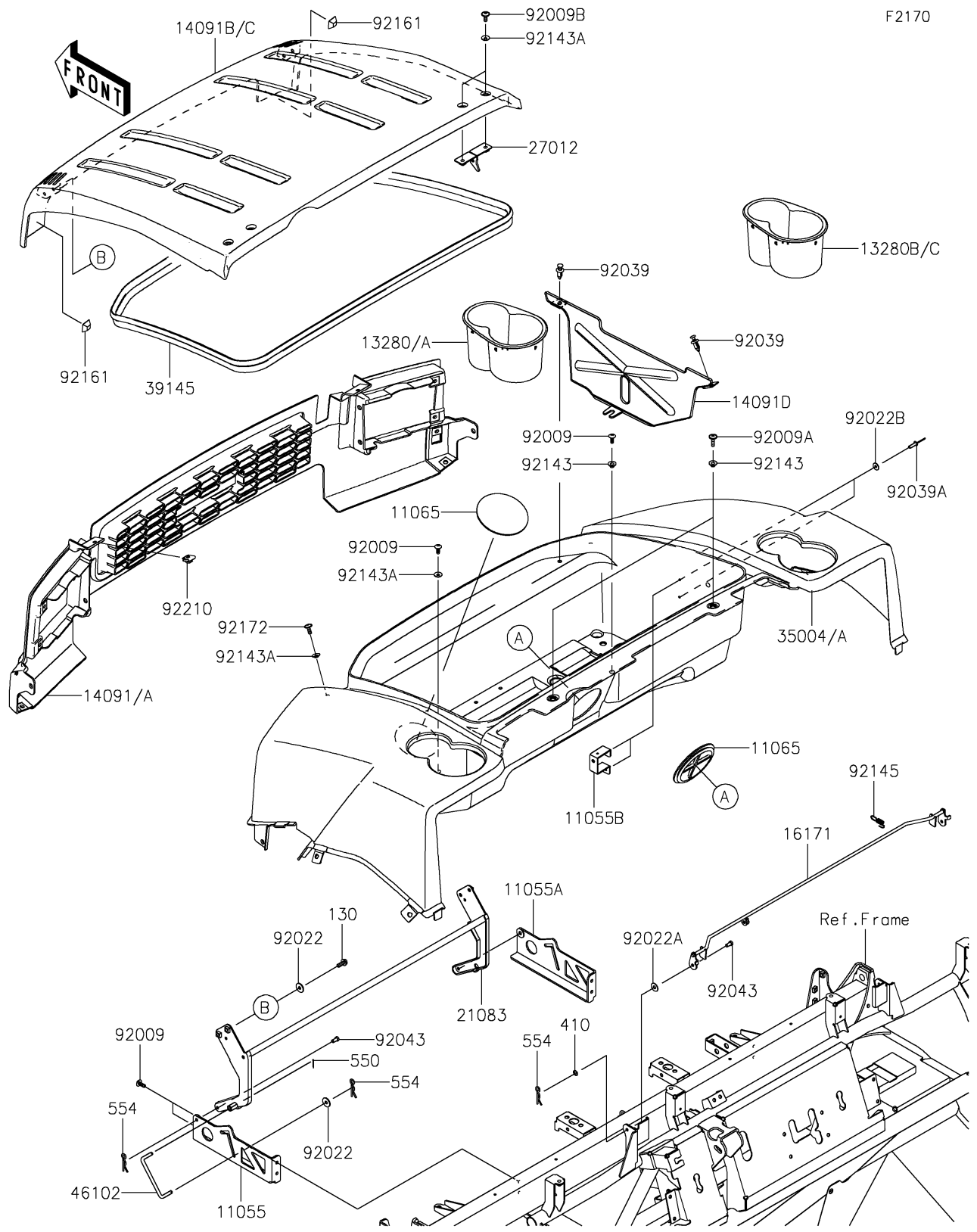


# 2020 MULE™ 4010 4x4

## PARTS DIAGRAM

### Fenders



# 2020 MULE™ 4010 4x4

## PARTS LIST

### Fenders

**ITEM NAME**

**PART NUMBER**

**QUANTITY**

---