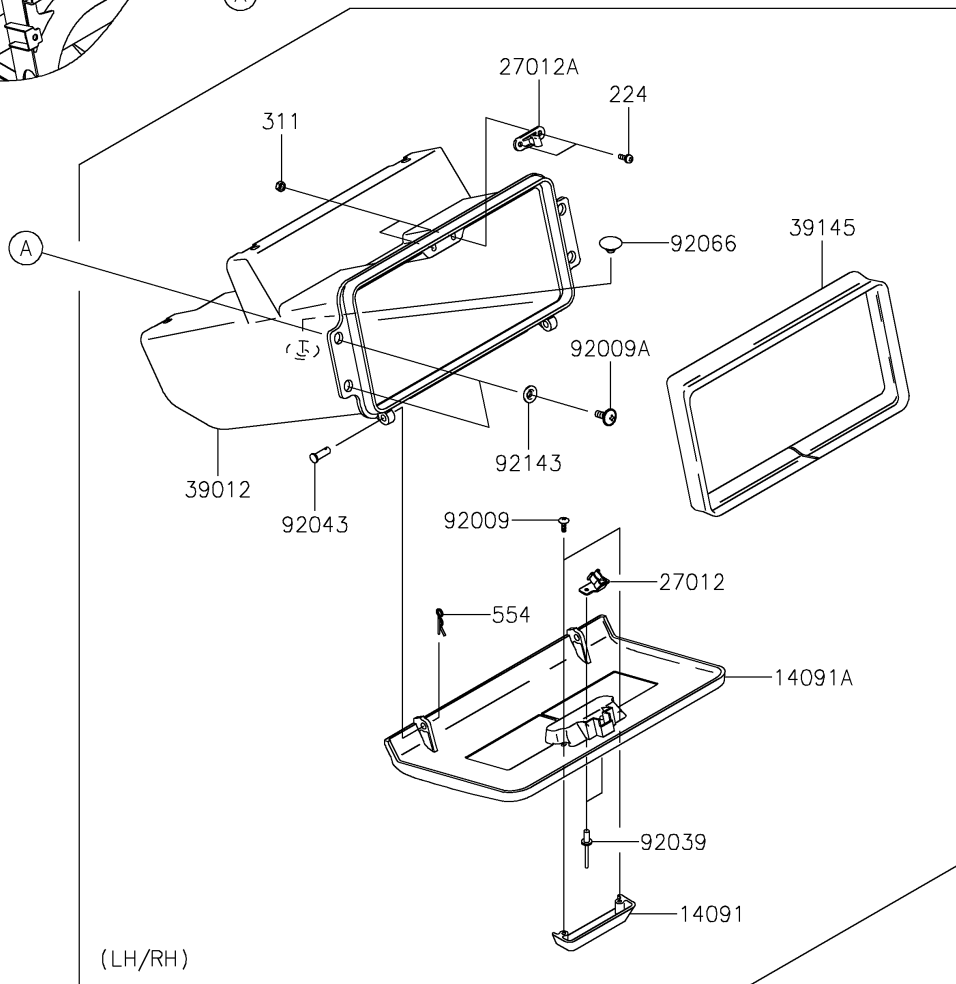
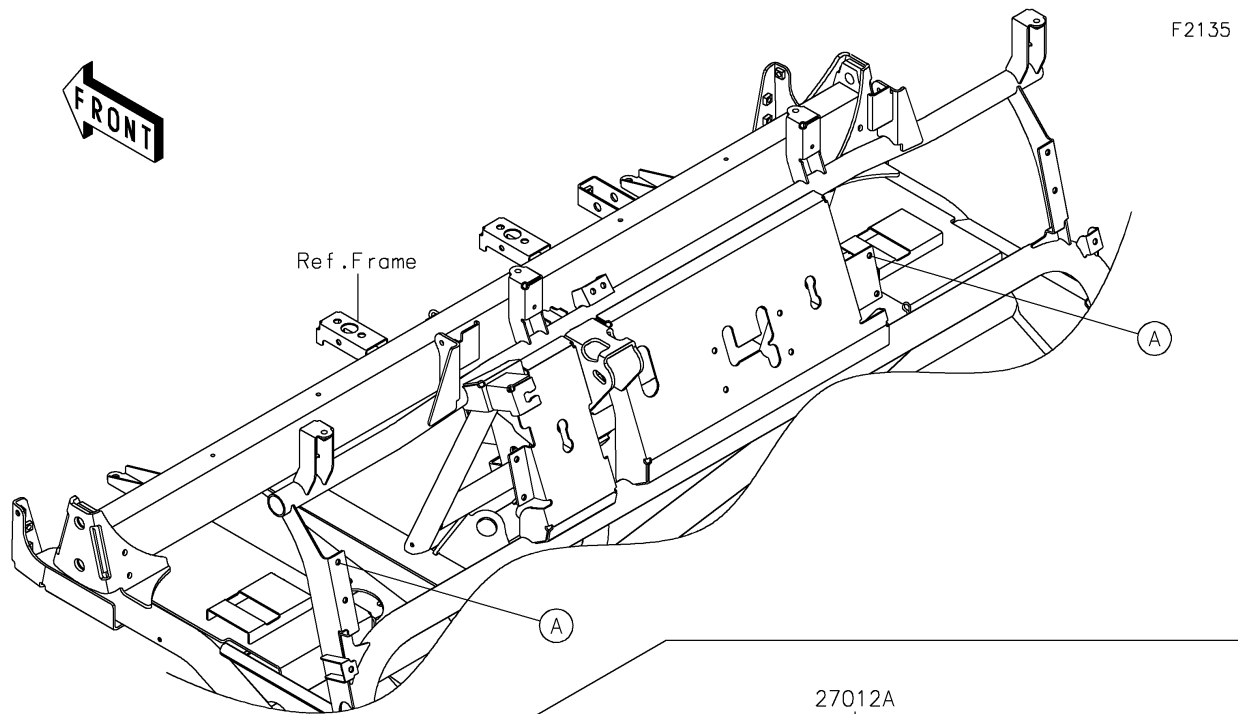


# 2019 MULE™ 4010 4x4

## PARTS DIAGRAM

### Front Box



# 2019 MULE™ 4010 4x4

## PARTS LIST

Front Box

**ITEM NAME**

**PART NUMBER**

**QUANTITY**

---