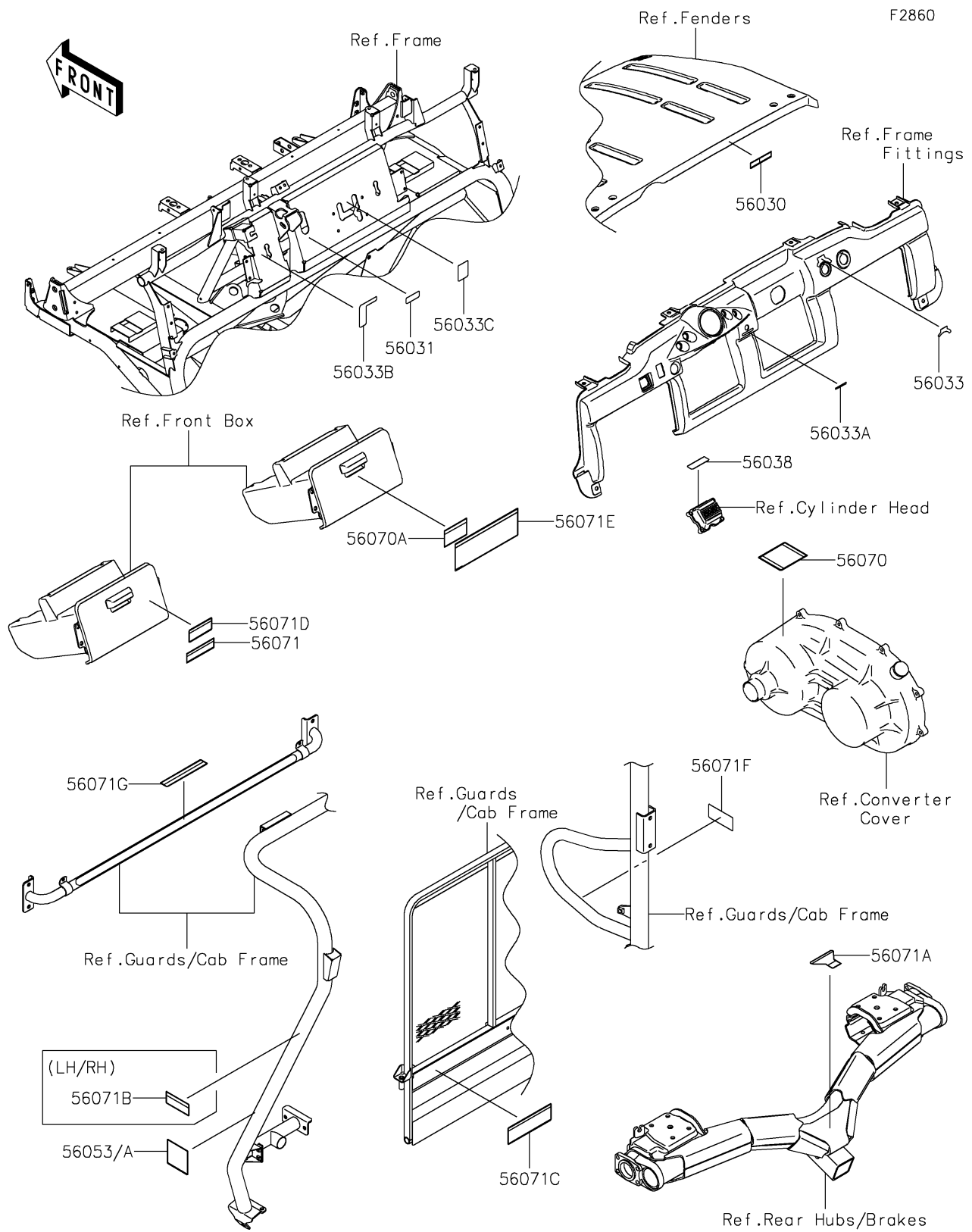


# 2020 MULE 4000 TRANS™

## PARTS DIAGRAM

### Labels



# 2020 MULE 4000 TRANS™

## PARTS LIST

### Labels

**ITEM NAME**

**PART NUMBER**

**QUANTITY**

---