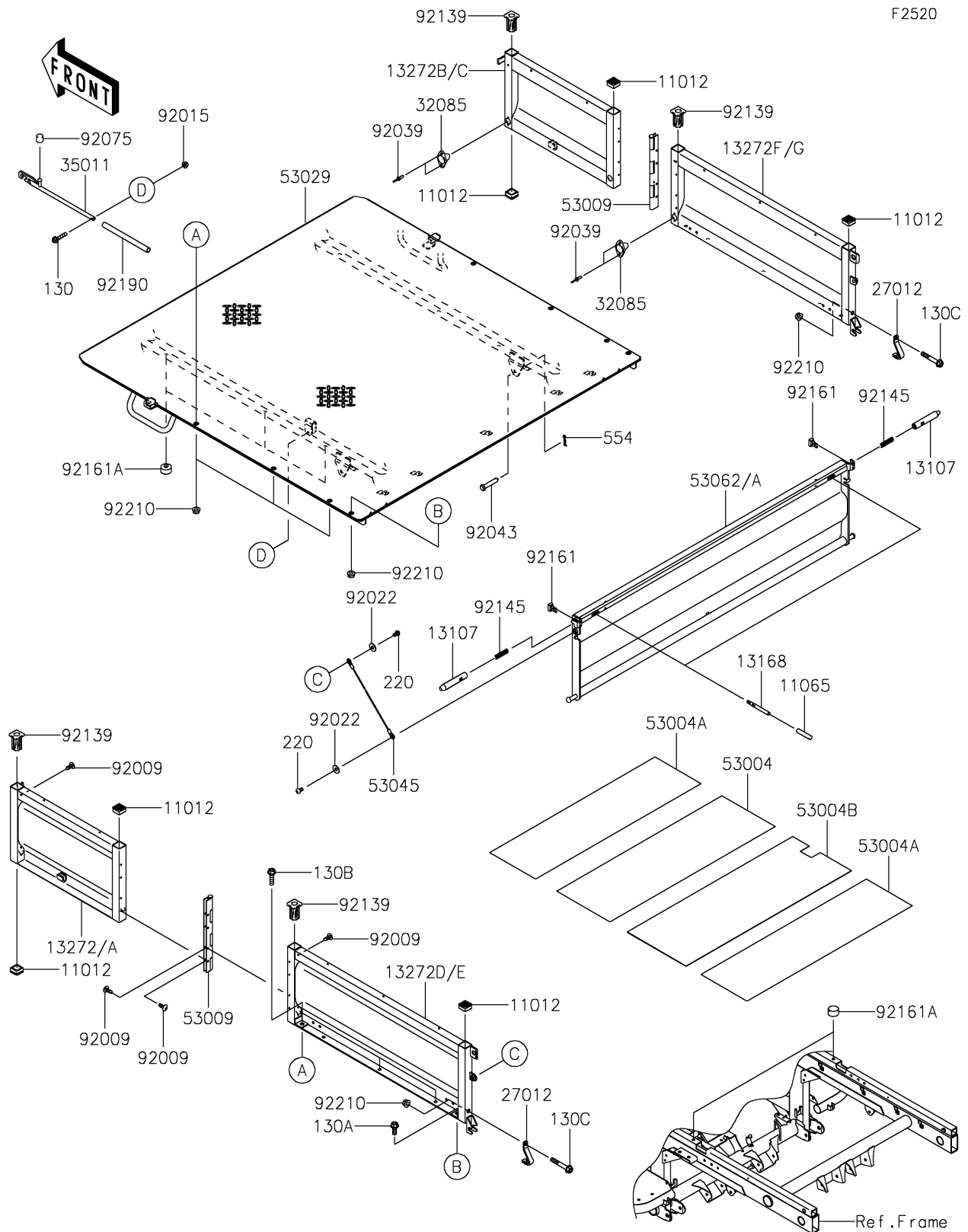


# 2018 MULE 4000 TRANS™

## PARTS DIAGRAM

### Carrier(s)



# 2018 MULE 4000 TRANS™

## PARTS LIST

Carrier(s)

**ITEM NAME**

**PART NUMBER**

**QUANTITY**

---