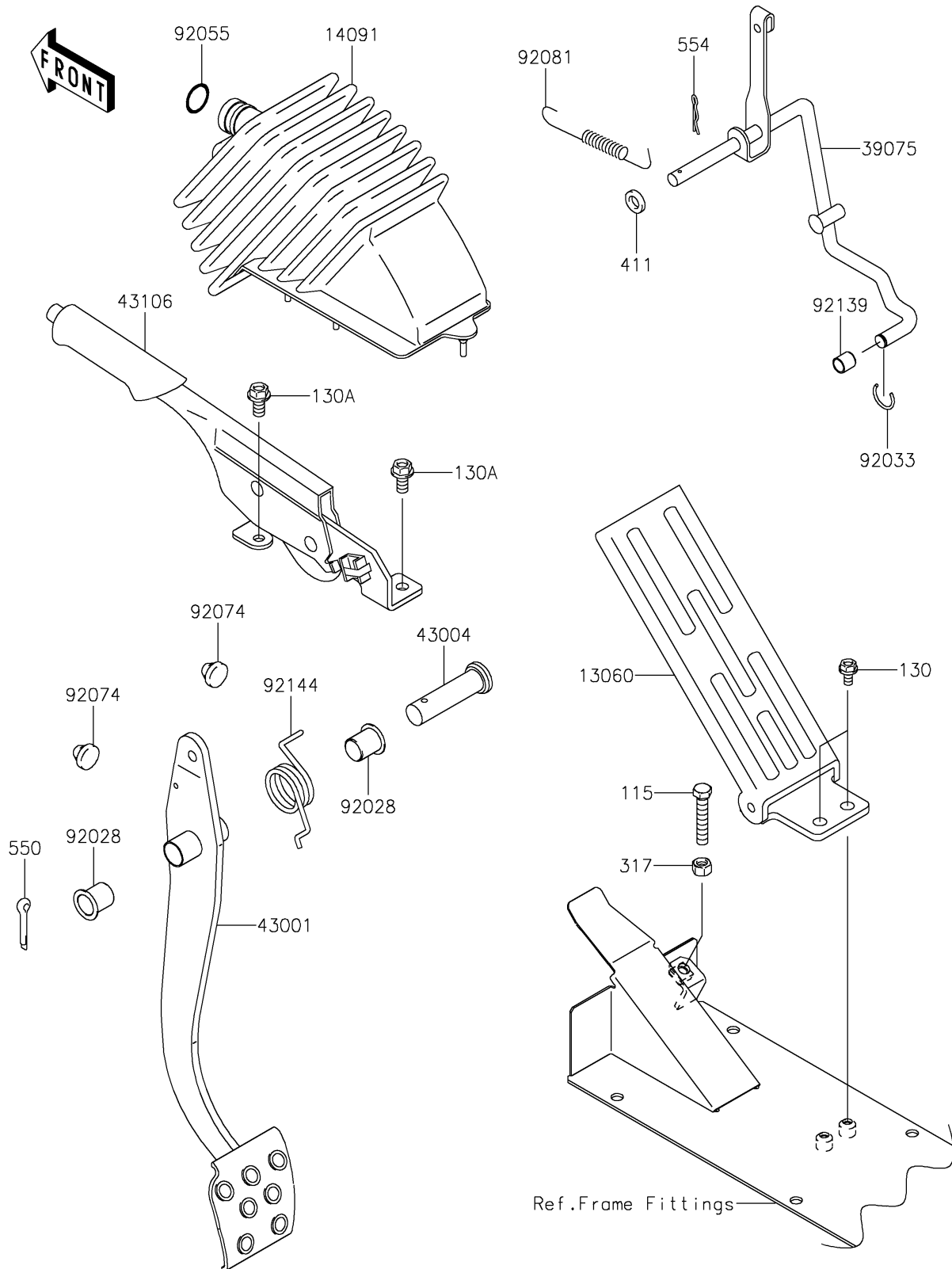


# 2020 MULE 4000 TRANS™

## PARTS DIAGRAM

### Brake Pedal/Throttle Lever

F2260



# 2020 MULE 4000 TRANS™

## PARTS LIST

### Brake Pedal/Throttle Lever

ITEM NAME	PART NUMBER	QUANTITY
-----------	-------------	----------

---