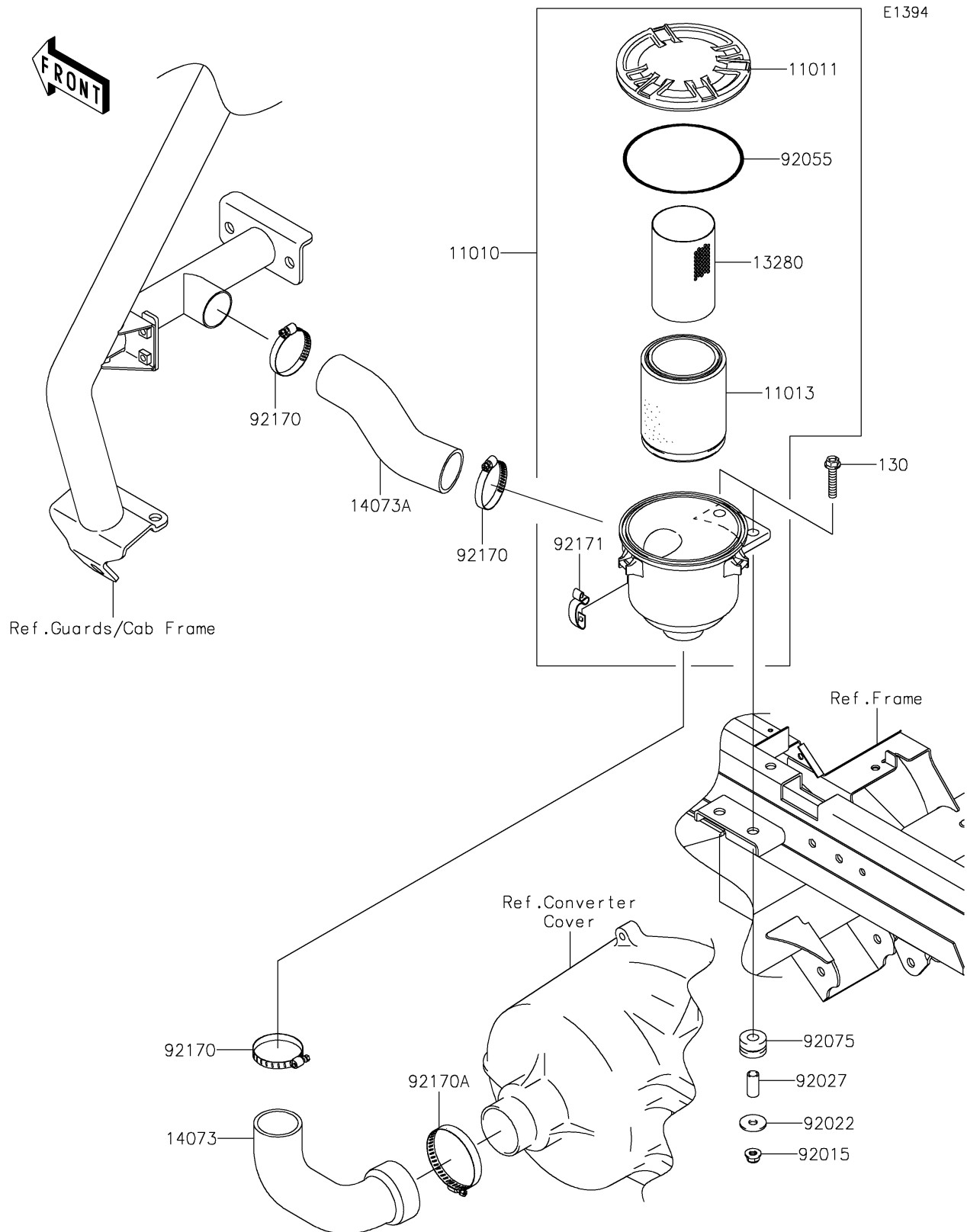


# 2019 MULE 4000 TRANS™

## PARTS DIAGRAM

### Air Cleaner-Belt Converter



# 2019 MULE 4000 TRANS™

## PARTS LIST

### Air Cleaner-Belt Converter

**ITEM NAME**

**PART NUMBER**

**QUANTITY**

---