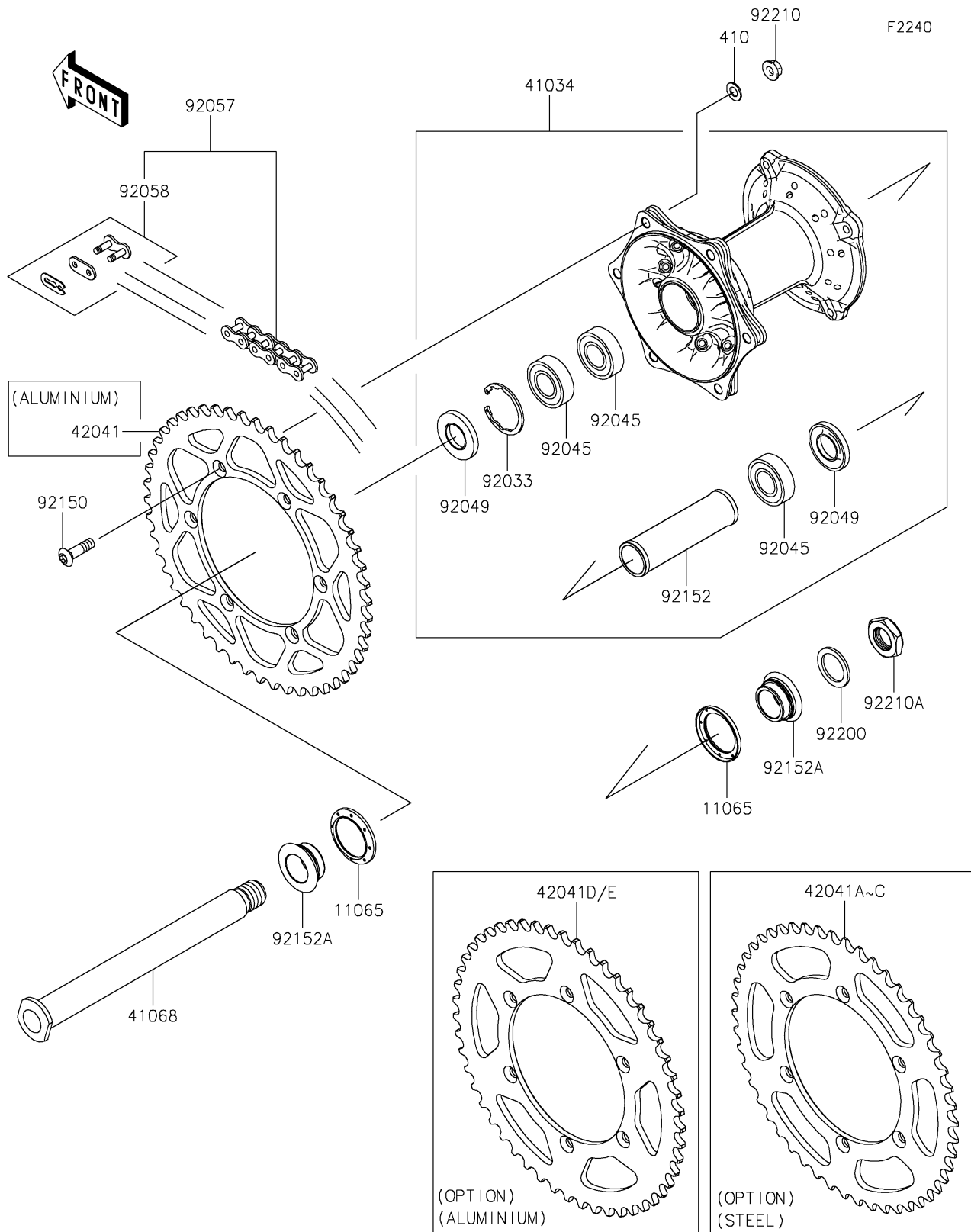


# 2024 KX™ 450 50th ANNIVERSARY EDITION

## PARTS DIAGRAM

### Rear Hub



# 2024 KX™ 450 50th ANNIVERSARY EDITION



## PARTS LIST

### Rear Hub

ITEM NAME	PART NUMBER	QUANTITY
-----------	-------------	----------

---