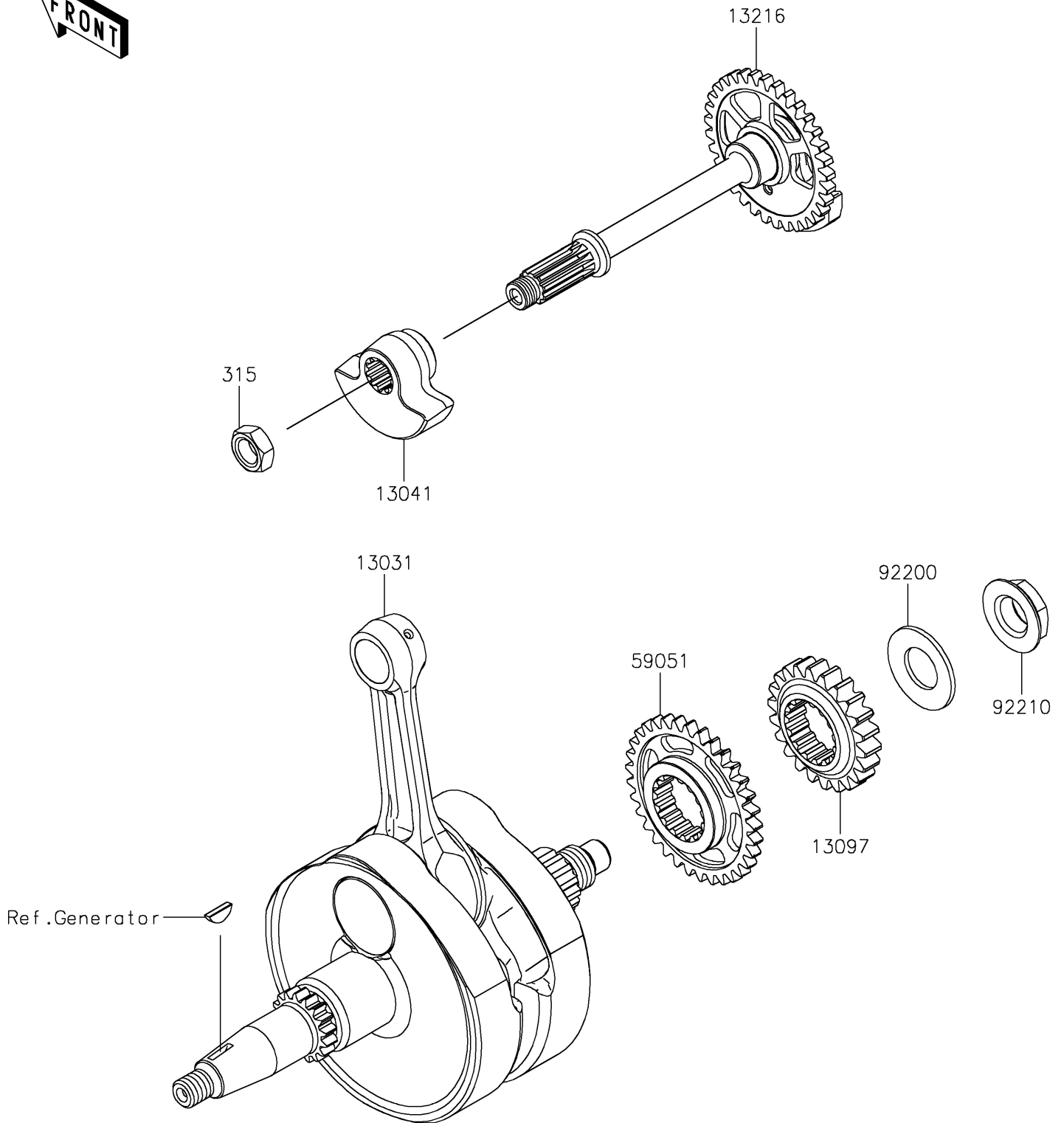


# 2024 KX™ 450 50th ANNIVERSARY EDITION

## PARTS DIAGRAM

### Crankshaft

E1321



# 2024 KX™ 450 50th ANNIVERSARY EDITION



## PARTS LIST

### Crankshaft

ITEM NAME	PART NUMBER	QUANTITY
-----------	-------------	----------

---