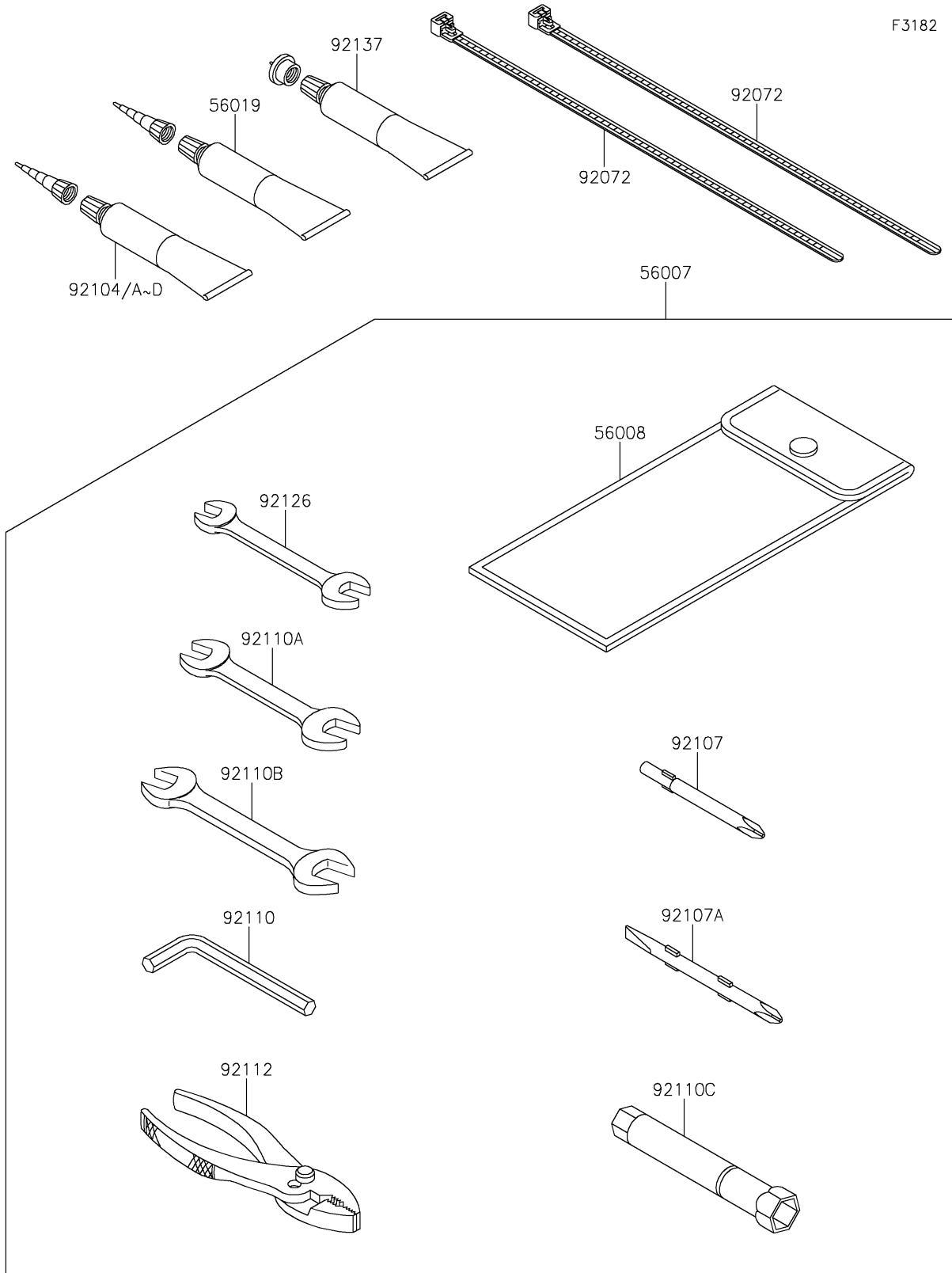


# 2024 JET SKI® STX® 160

## PARTS DIAGRAM

### Owner's Tools



# 2024 JET SKI® STX® 160

## PARTS LIST Owner's Tools



ITEM NAME	PART NUMBER	QUANTITY
-----------	-------------	----------

---