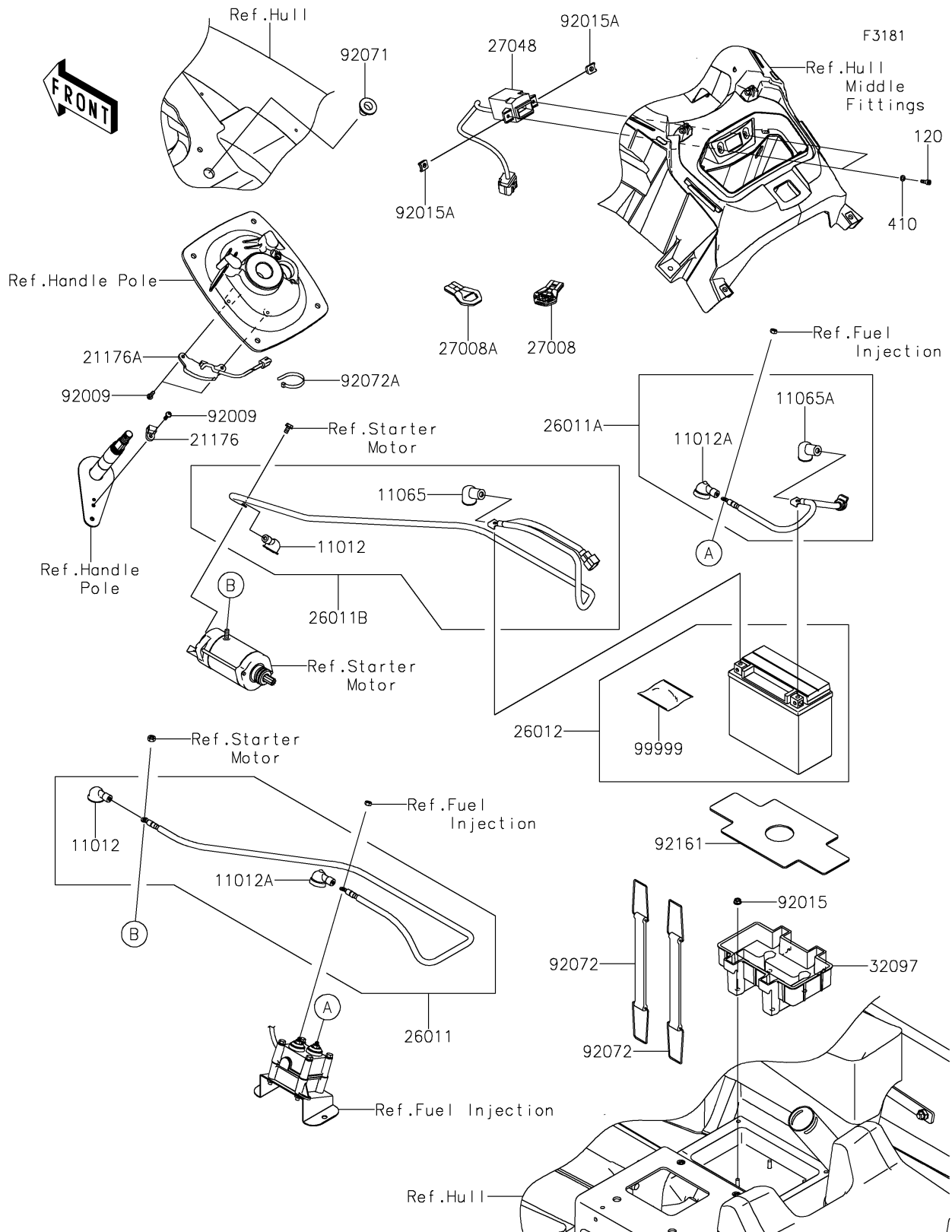


# 2024 JET SKI® STX® 160

## PARTS DIAGRAM Electrical Equipment



# 2024 JET SKI® STX® 160

## PARTS LIST

### Electrical Equipment

**ITEM NAME**

**PART NUMBER**

**QUANTITY**

---