

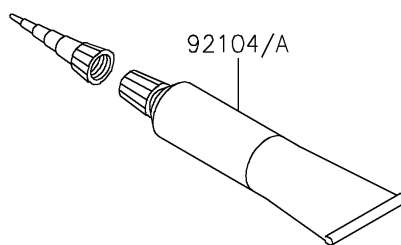
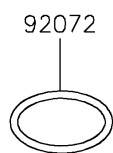
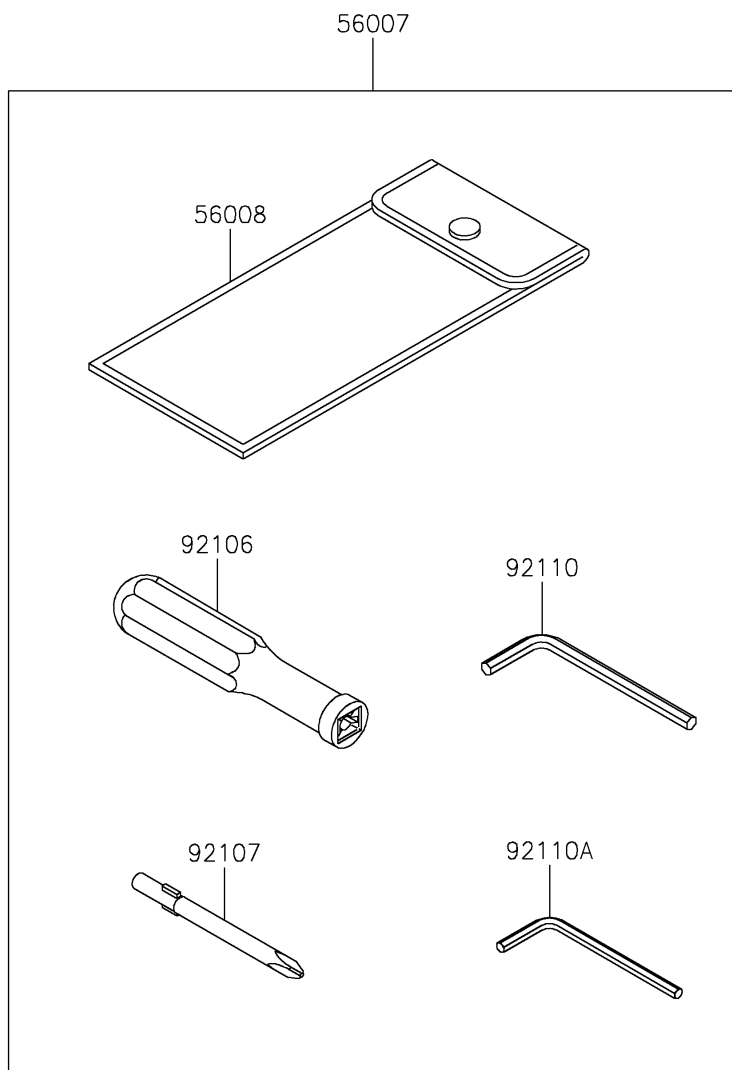
# 2024 NINJA<sup>®</sup> ZX<sup>™</sup>-4RR KRT EDITION ABS

**Kawasaki**  
Let the Good Times Roll<sup>®</sup>

## PARTS DIAGRAM

### Owner's Tools

F2810



# 2024 NINJA® ZX™-4RR KRT EDITION ABS



## PARTS LIST Owner's Tools

ITEM NAME	PART NUMBER	QUANTITY
-----------	-------------	----------

---