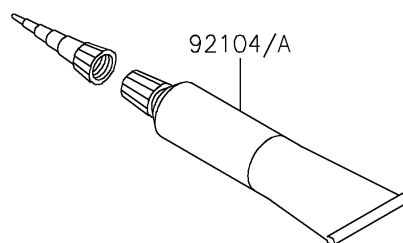
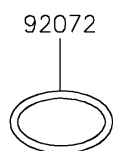
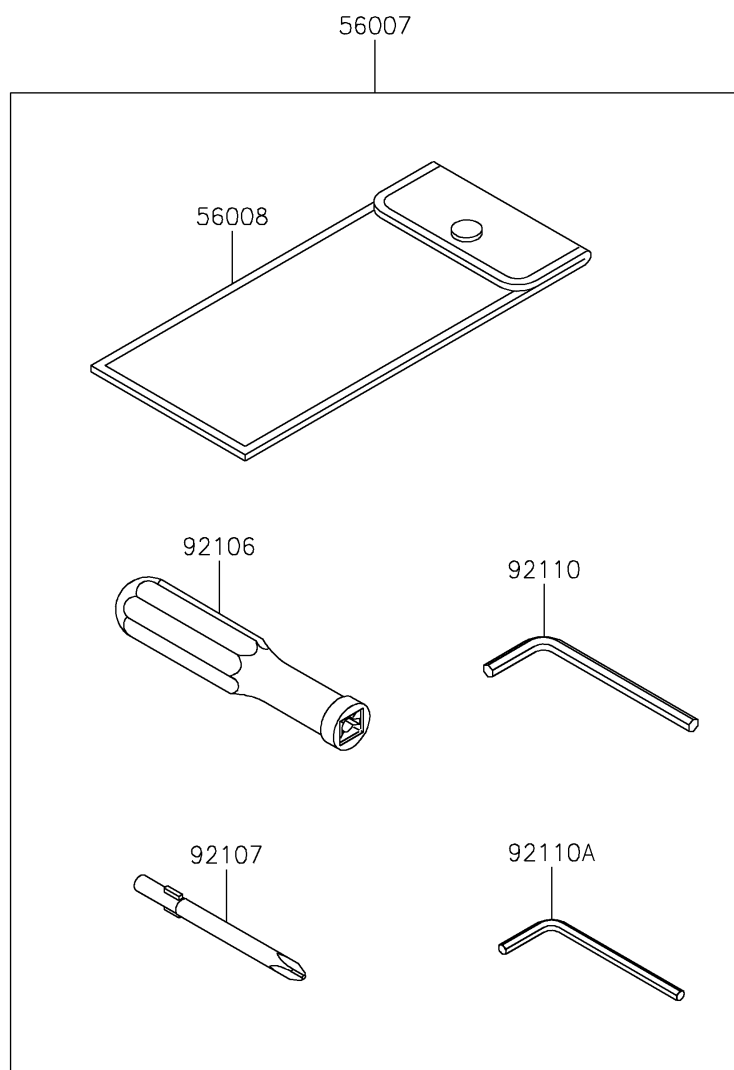


2024 NINJA[®] ZX[™]-4RR ABS

PARTS DIAGRAM

Owner's Tools

F2810



2024 NINJA[®] ZX[™]-4RR ABS

PARTS LIST Owner's Tools



ITEM NAME

PART NUMBER

QUANTITY
