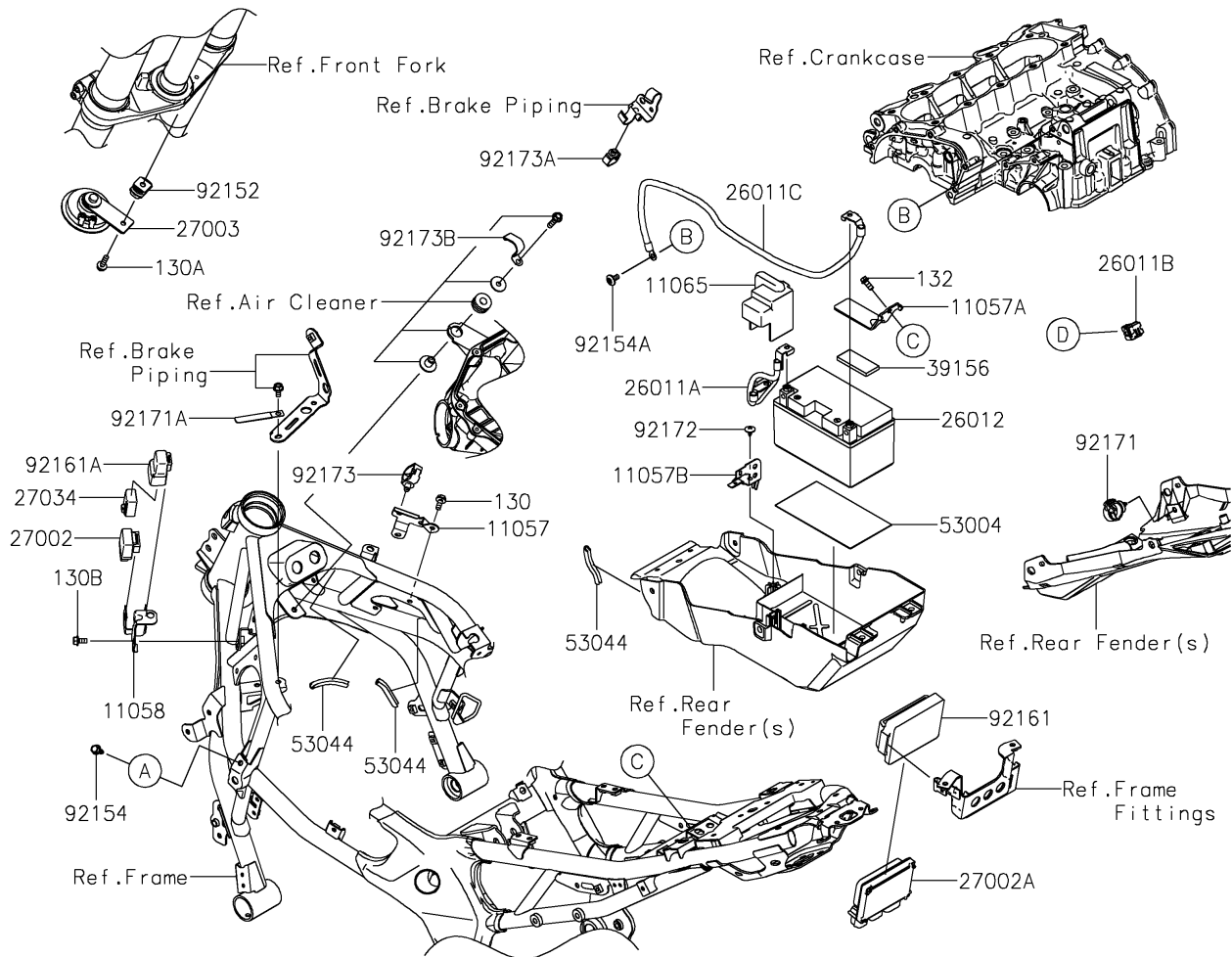
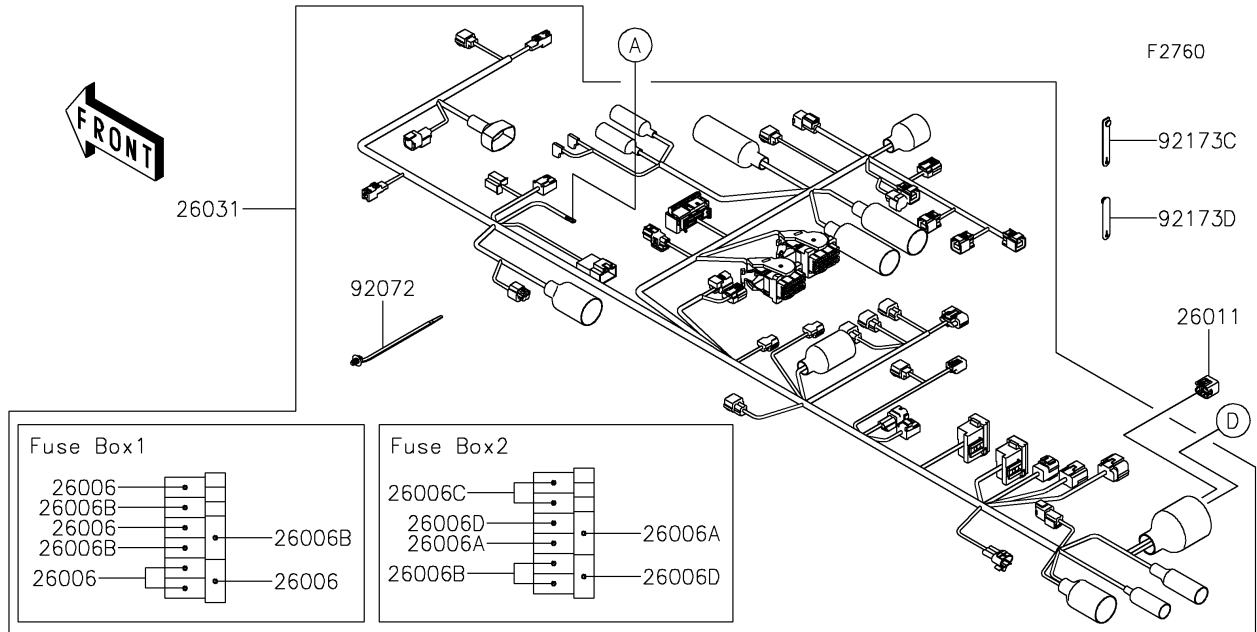


2024 NINJA® ZX™-4RR ABS

PARTS DIAGRAM

Chassis Electrical Equipment



2024 NINJA[®] ZX[™]-4RR ABS

PARTS LIST

Chassis Electrical Equipment

ITEM NAME	PART NUMBER	QUANTITY
-----------	-------------	----------
