

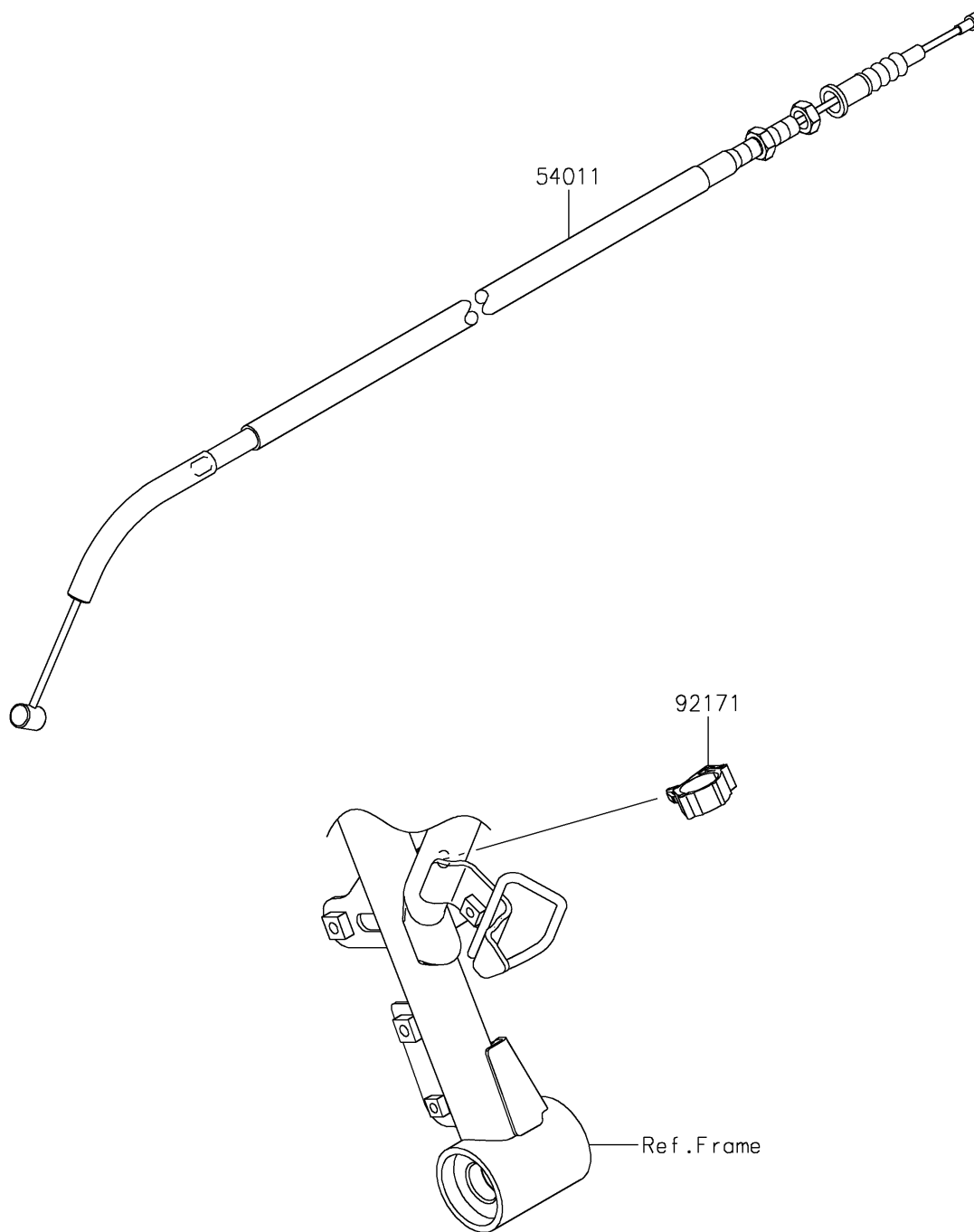
# 2024 NINJA<sup>®</sup> ZX<sup>™</sup>-4RR KRT EDITION ABS

**Kawasaki**  
Let the Good Times Roll<sup>®</sup>

## PARTS DIAGRAM

### Cables

F2540



# 2024 NINJA® ZX™-4RR KRT EDITION ABS



## PARTS LIST

### Cables

ITEM NAME	PART NUMBER	QUANTITY
-----------	-------------	----------

---