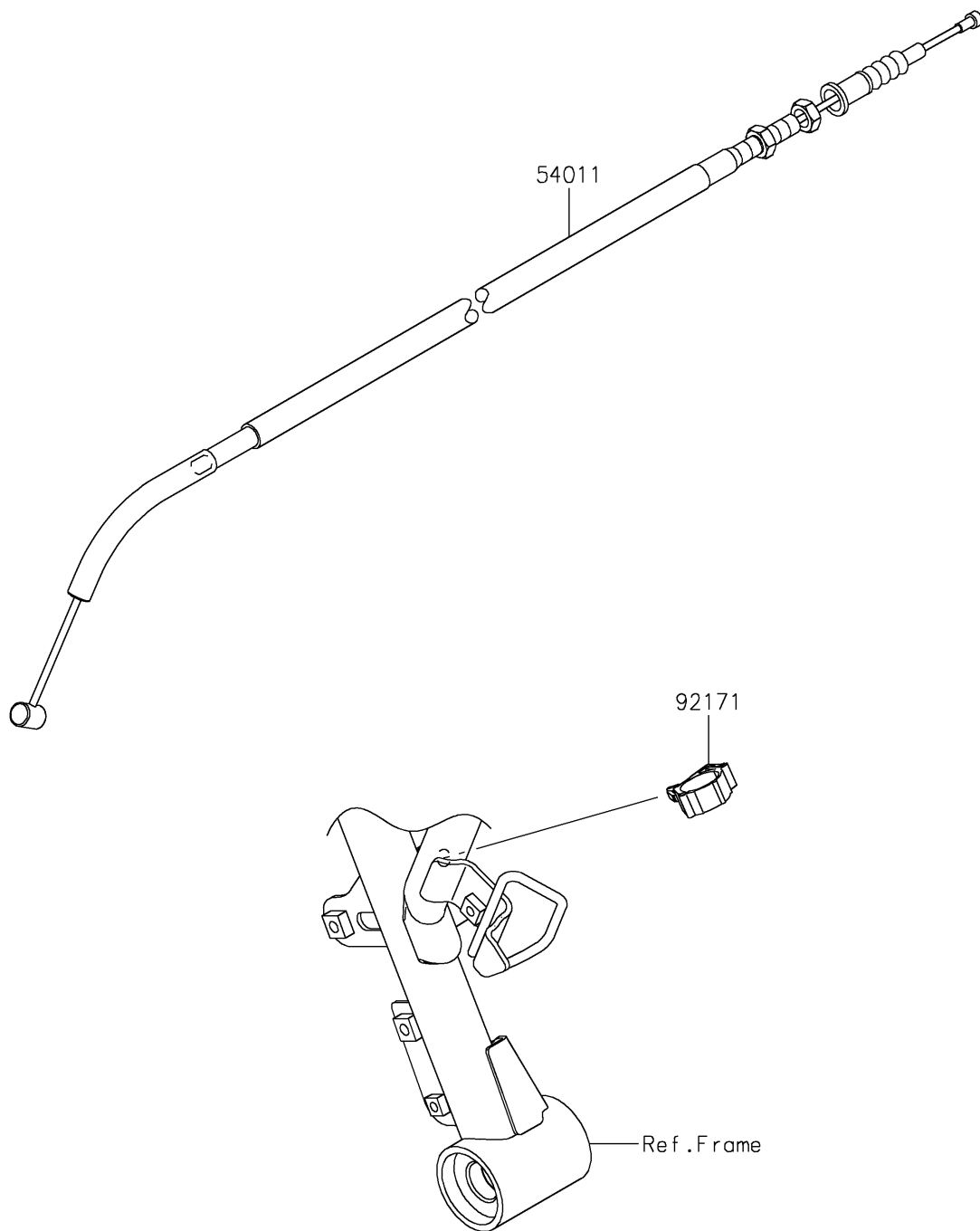


2024 NINJA[®] ZX[™]-4RR ABS

PARTS DIAGRAM

Cables

F2540



2024 NINJA® ZX™-4RR ABS



PARTS LIST

Cables

ITEM NAME	PART NUMBER	QUANTITY
-----------	-------------	----------