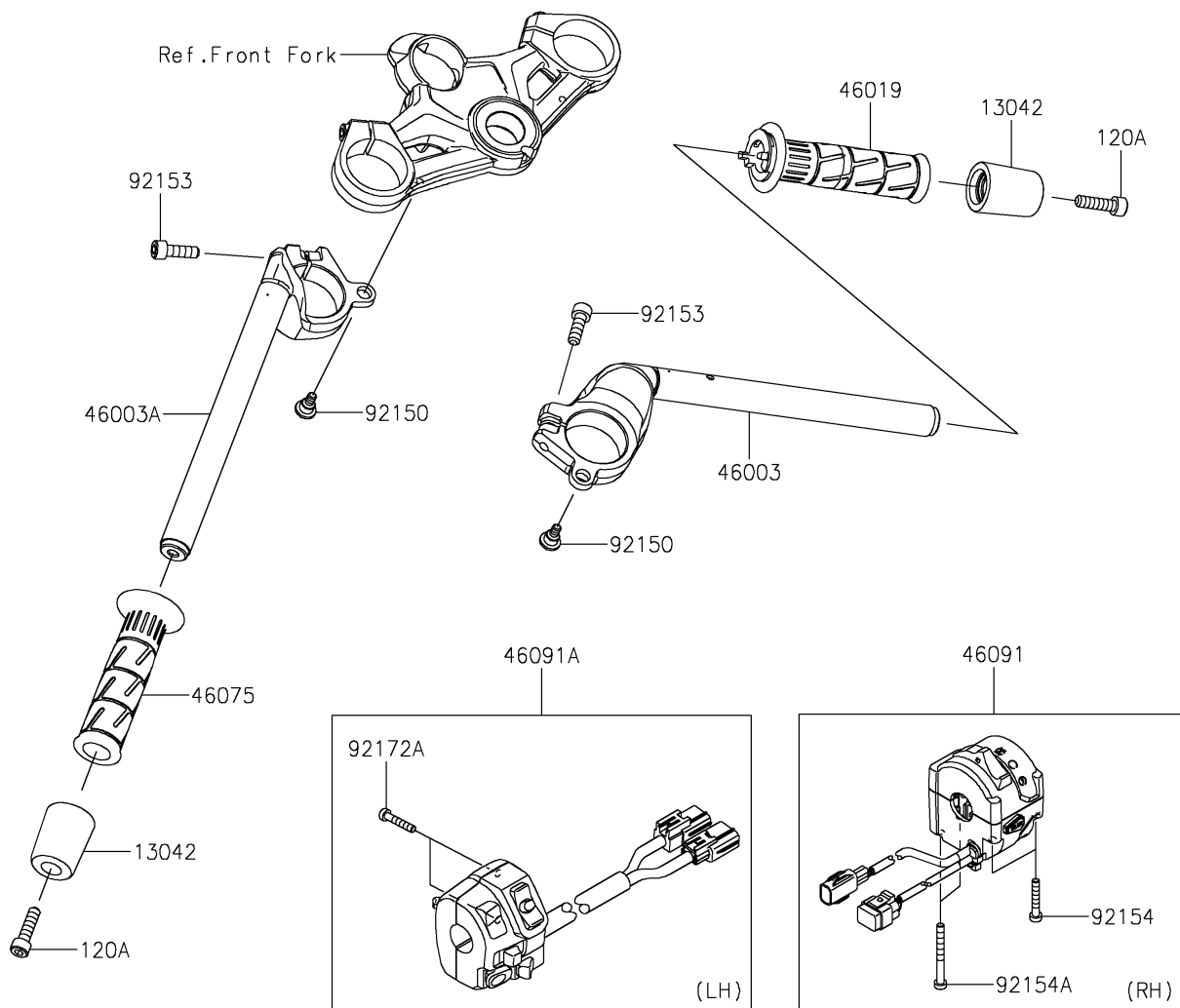
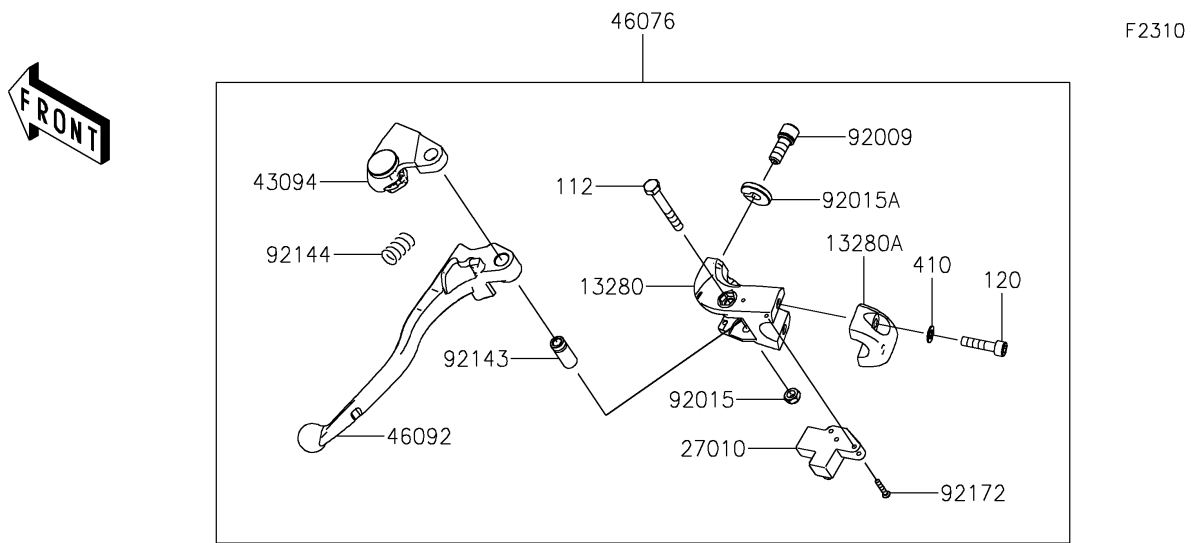


2024 NINJA[®] ZX[™]-4RR KRT EDITION ABS

PARTS DIAGRAM

Handlebar



2024 NINJA® ZX™-4RR KRT EDITION ABS



PARTS LIST

Handlebar

ITEM NAME	PART NUMBER	QUANTITY
-----------	-------------	----------
