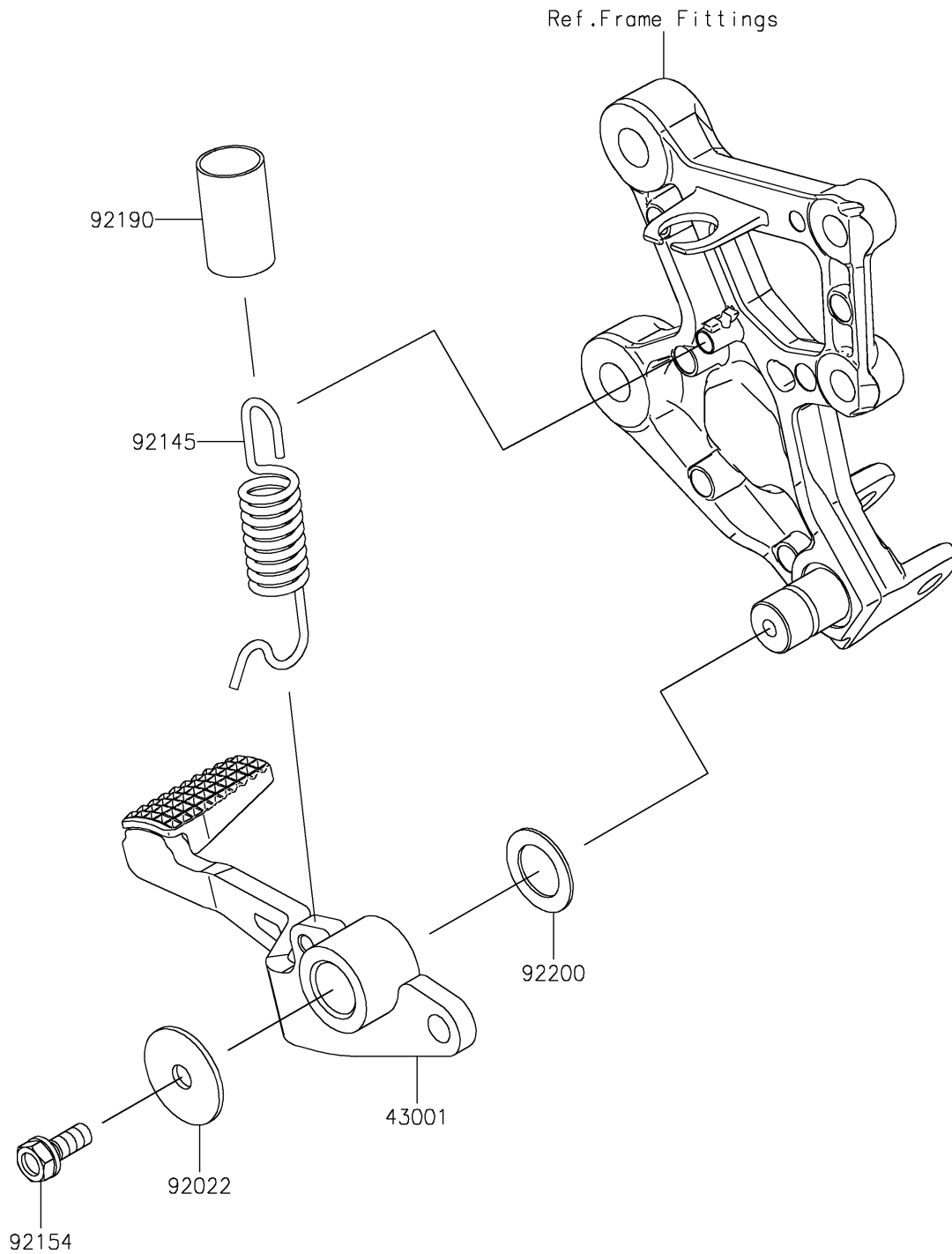


# 2023 NINJA<sup>®</sup> ZX<sup>™</sup>-4RR KRT EDITION

## PARTS DIAGRAM

### Brake Pedal/Torque Link

F2260



# 2023 NINJA® ZX™-4RR KRT EDITION



## PARTS LIST

### Brake Pedal/Torque Link

ITEM NAME	PART NUMBER	QUANTITY
-----------	-------------	----------

---