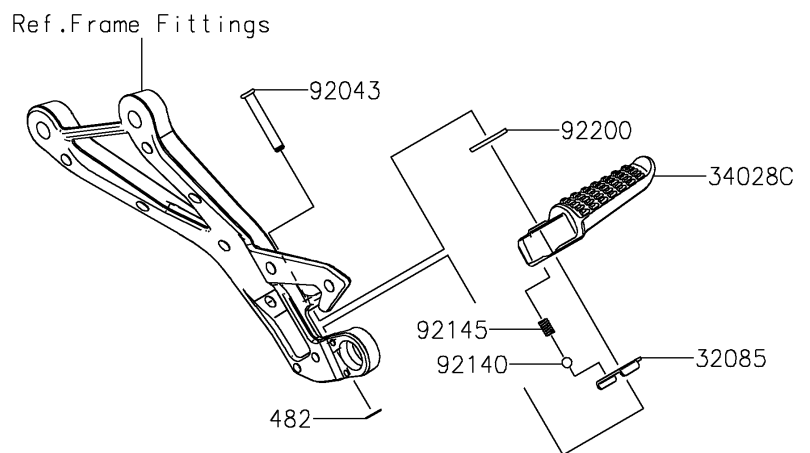
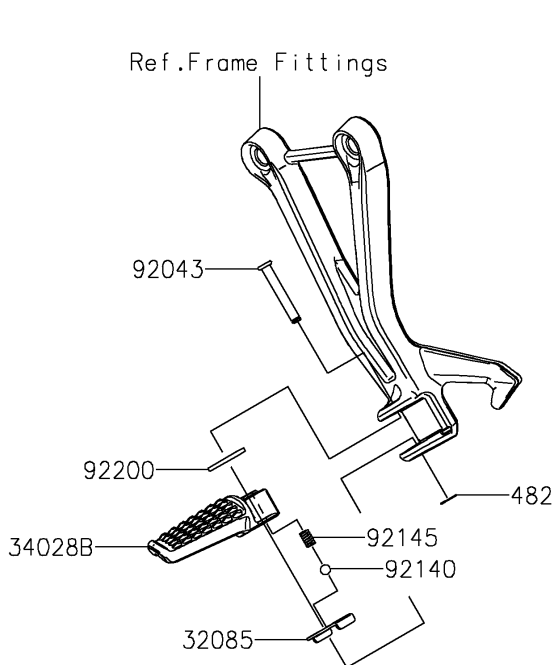
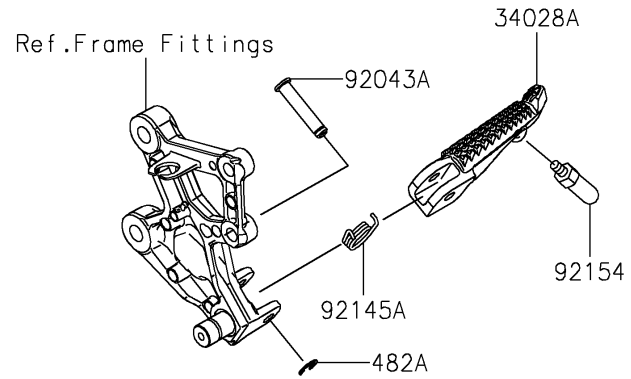
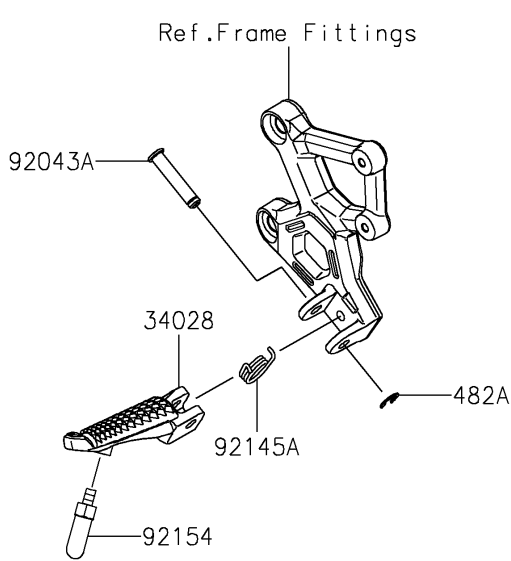


2024 NINJA[®] ZX[™]-4RR ABS

PARTS DIAGRAM

Footrests

F2160



2024 NINJA® ZX™-4RR ABS

PARTS LIST

Footrests

ITEM NAME	PART NUMBER	QUANTITY
-----------	-------------	----------
