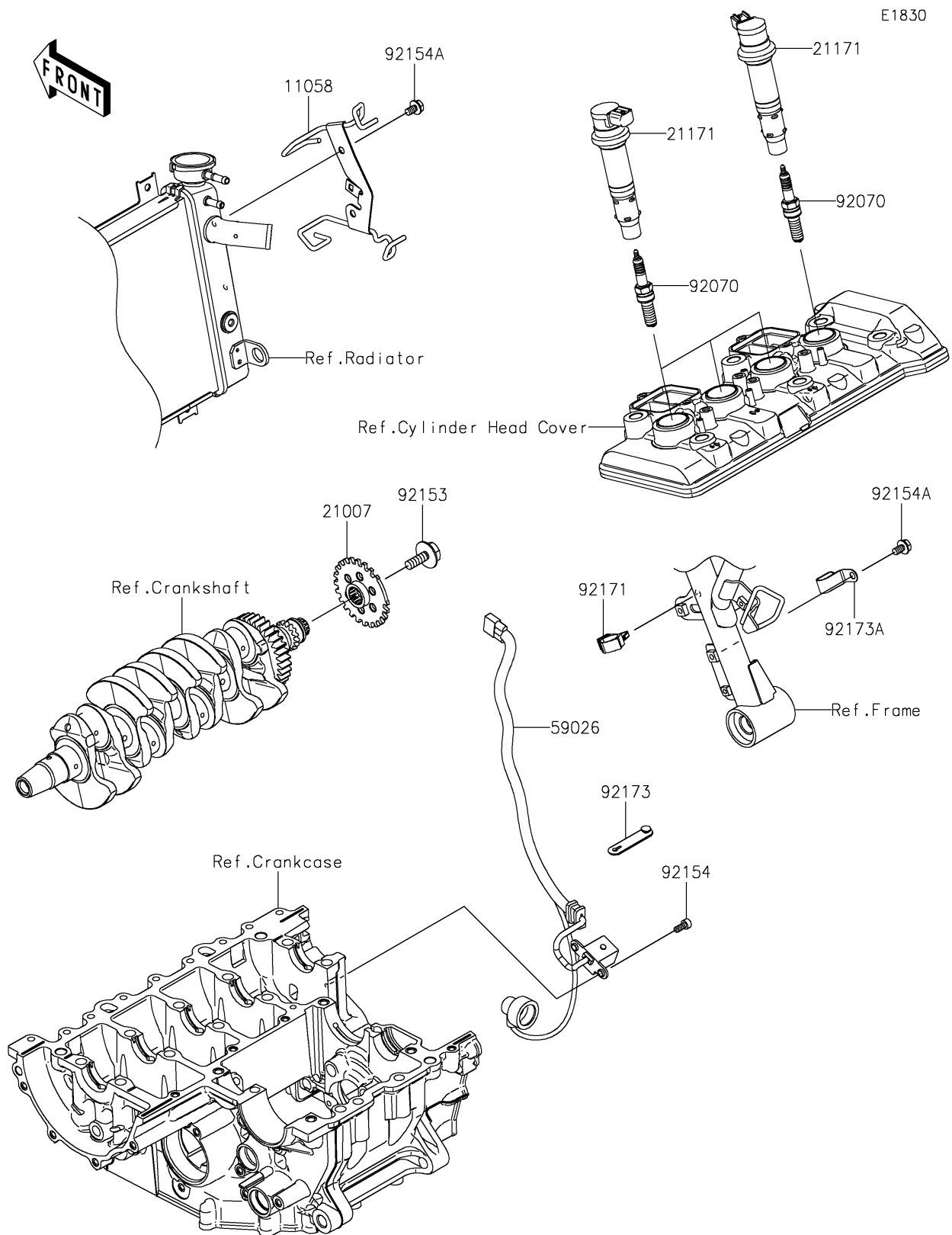


2024 NINJA® ZX™-4RR ABS

PARTS DIAGRAM

Ignition System



2024 NINJA[®] ZX[™]-4RR ABS



PARTS LIST

Ignition System

ITEM NAME	PART NUMBER	QUANTITY
-----------	-------------	----------