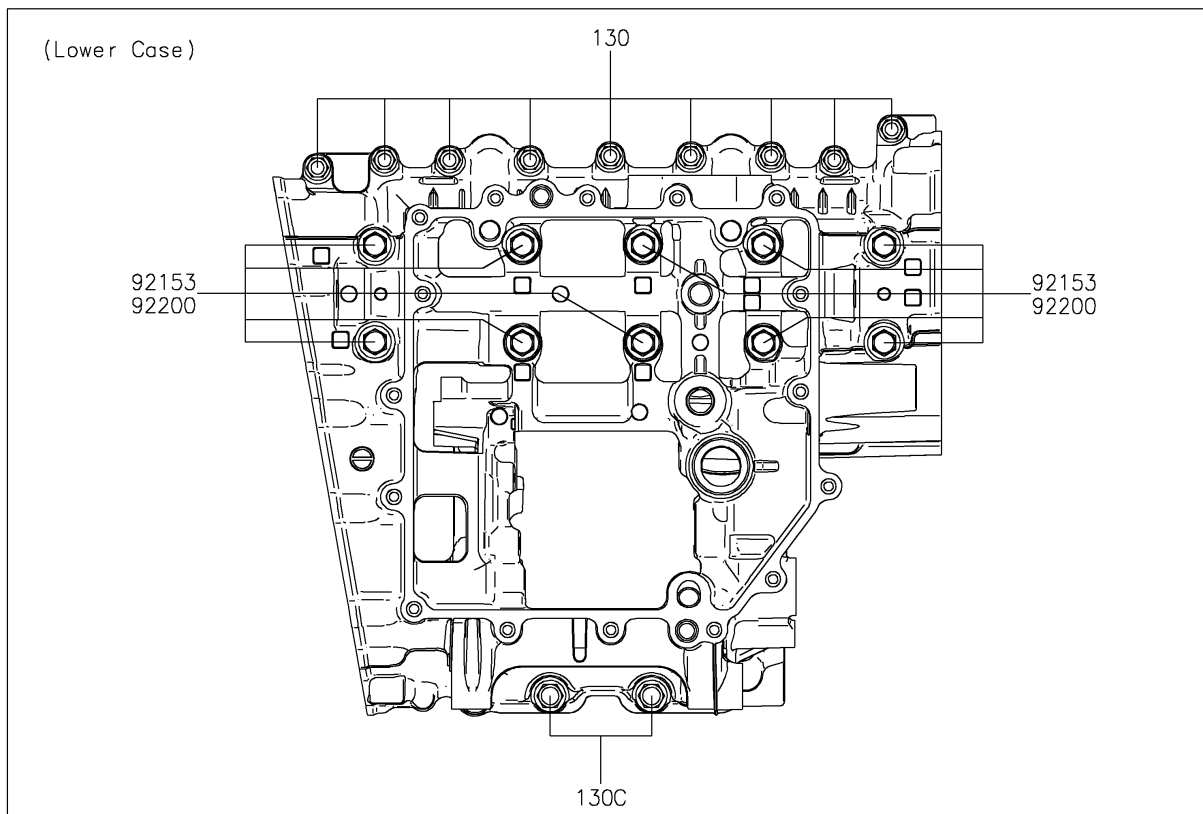
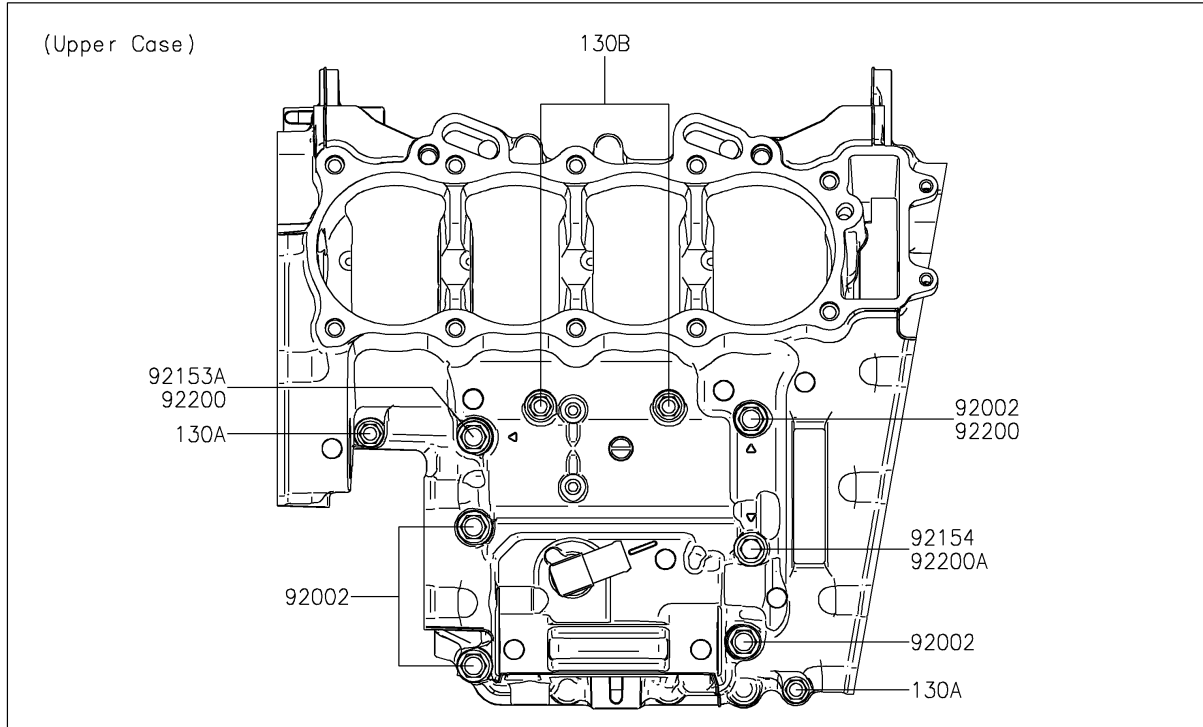


# 2024 NINJA® ZX™-4RR ABS

## PARTS DIAGRAM

### Crankcase Bolt Pattern

E1412



# 2024 NINJA<sup>®</sup> ZX<sup>™</sup>-4RR ABS

## PARTS LIST

### Crankcase Bolt Pattern

ITEM NAME	PART NUMBER	QUANTITY
-----------	-------------	----------

---