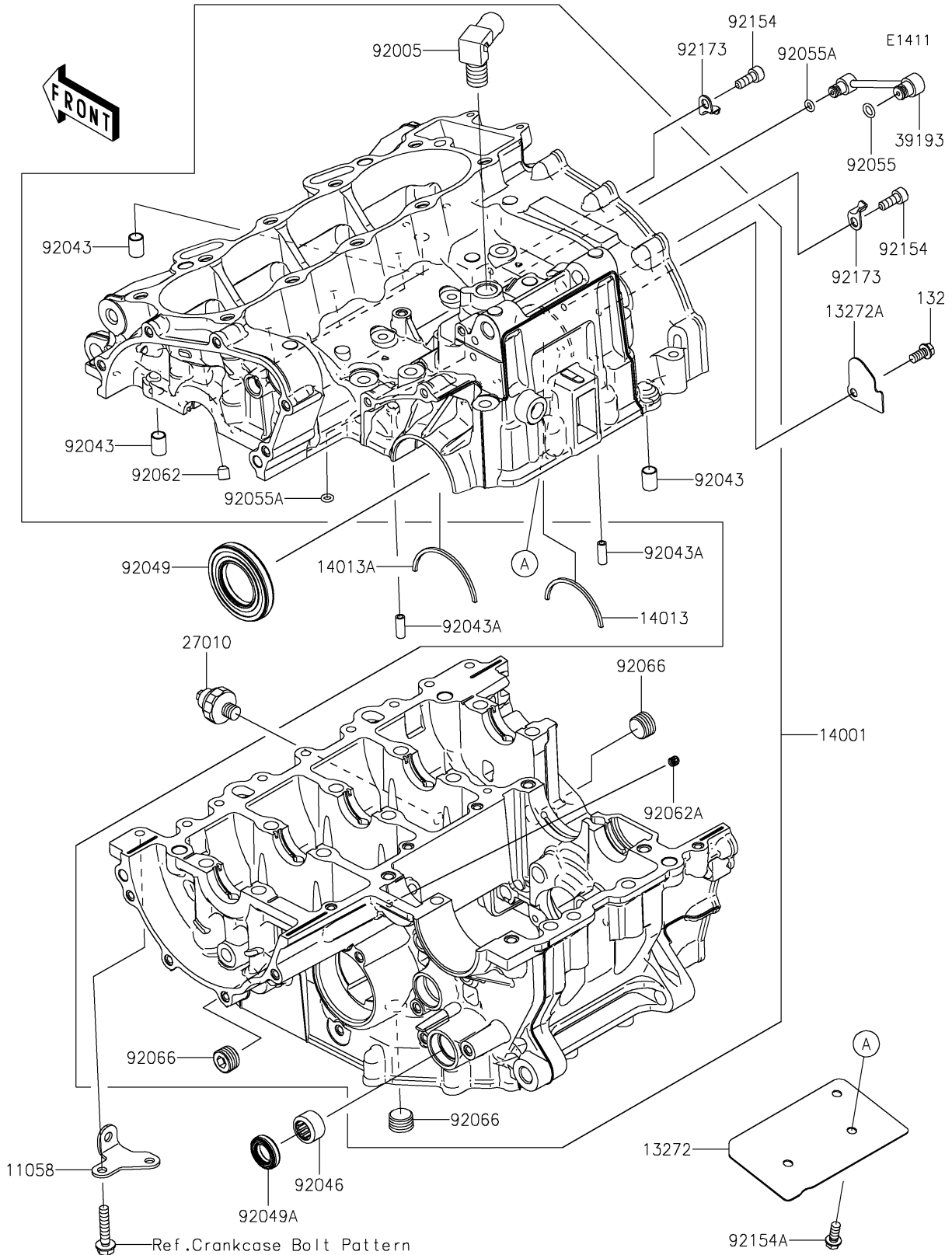


# 2024 Ninja ZX-4RR

## PARTS DIAGRAM

### Crankcase



# 2024 Ninja ZX-4RR

## PARTS LIST

### Crankcase

**ITEM NAME**

**PART NUMBER**

**QUANTITY**

---