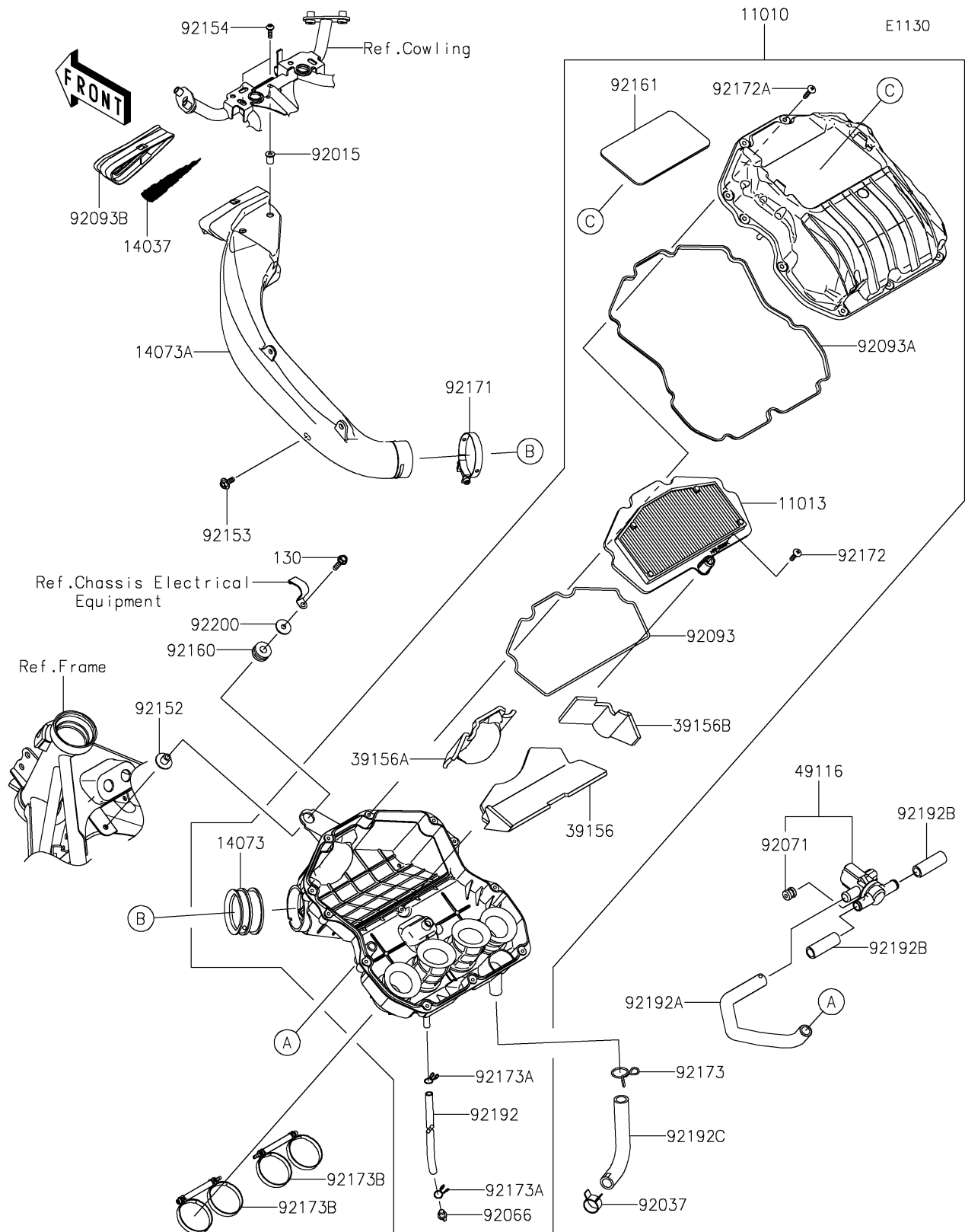


# 2024 NINJA<sup>®</sup> ZX<sup>™</sup>-4RR KRT EDITION ABS

## PARTS DIAGRAM

### Air Cleaner



# 2024 NINJA® ZX™-4RR KRT EDITION ABS



## PARTS LIST

### Air Cleaner

ITEM NAME	PART NUMBER	QUANTITY
-----------	-------------	----------

---