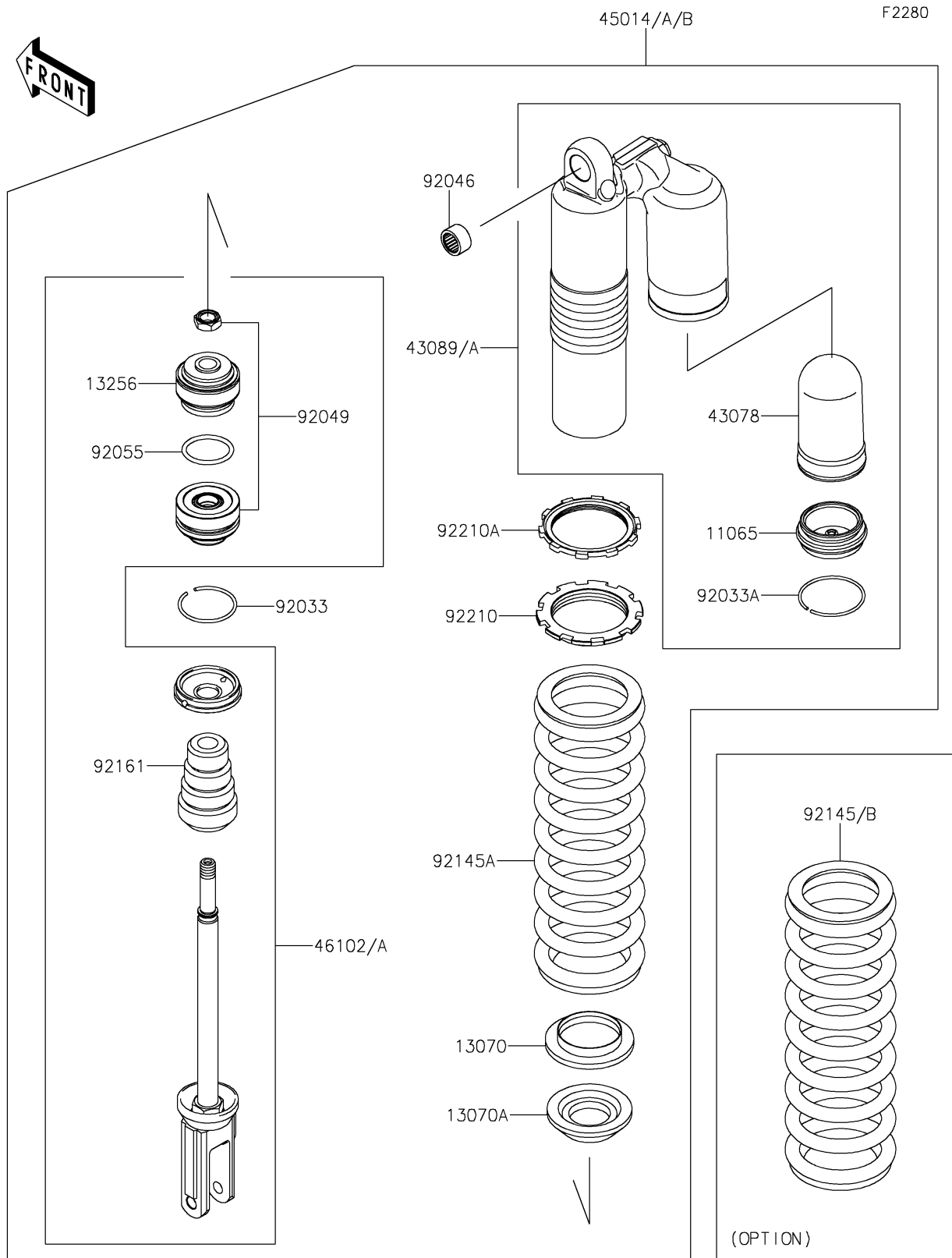


# 2024 KX™ 250 50th ANNIVERSARY EDITION

## PARTS DIAGRAM

### Shock Absorber(s)



# 2024 KX™ 250 50th ANNIVERSARY EDITION



## PARTS LIST

### Shock Absorber(s)

ITEM NAME	PART NUMBER	QUANTITY
-----------	-------------	----------

---