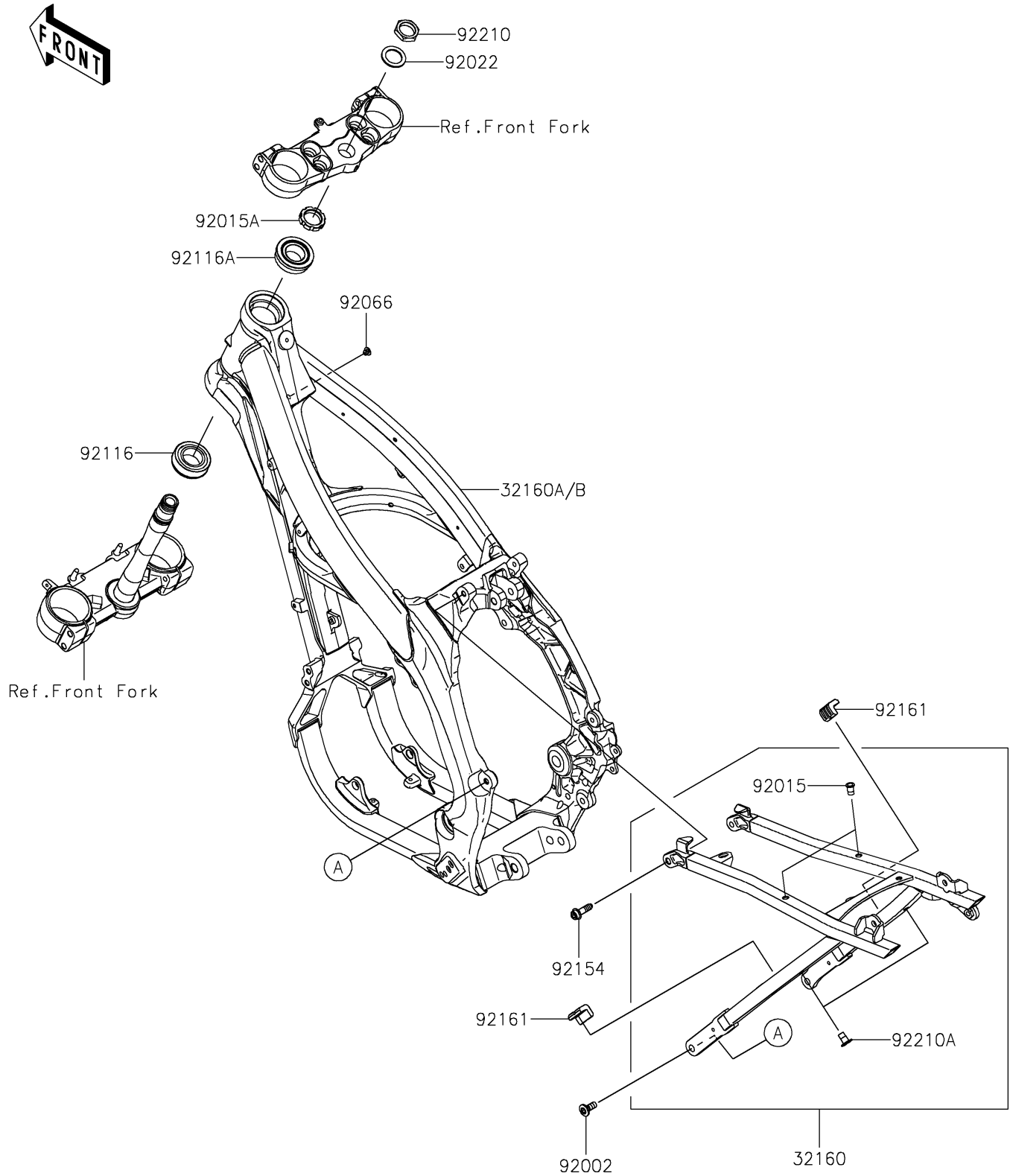


# 2024 KX™ 250 50th ANNIVERSARY EDITION

## PARTS DIAGRAM

### Frame

F2120



# 2024 KX™ 250 50th ANNIVERSARY EDITION



## PARTS LIST

### Frame

ITEM NAME	PART NUMBER	QUANTITY
-----------	-------------	----------

---