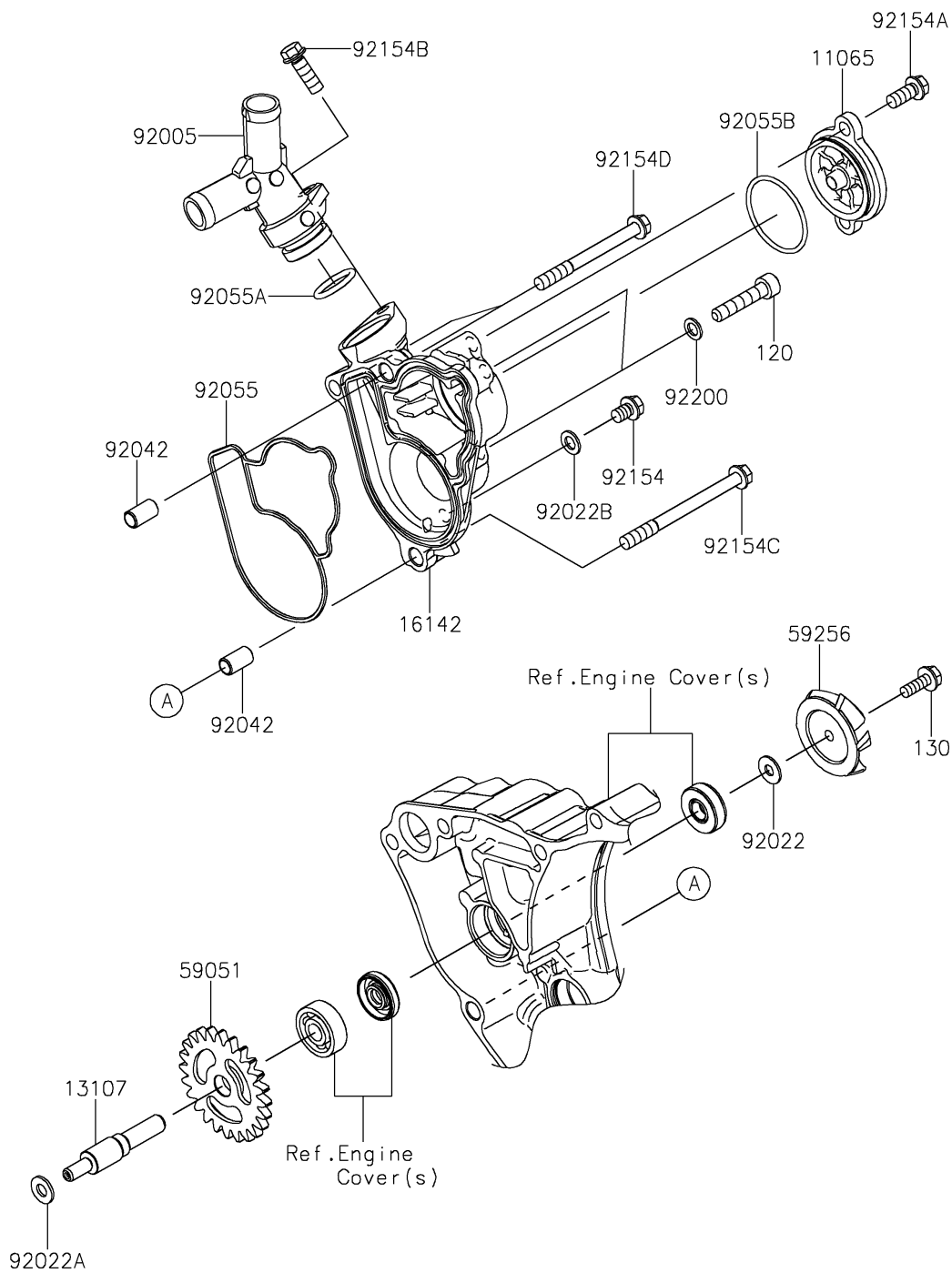


2024 KX™ 250 50th ANNIVERSARY EDITION

PARTS DIAGRAM

Water Pump

E3031



2024 KX™ 250 50th ANNIVERSARY EDITION



PARTS LIST

Water Pump

ITEM NAME	PART NUMBER	QUANTITY
-----------	-------------	----------
