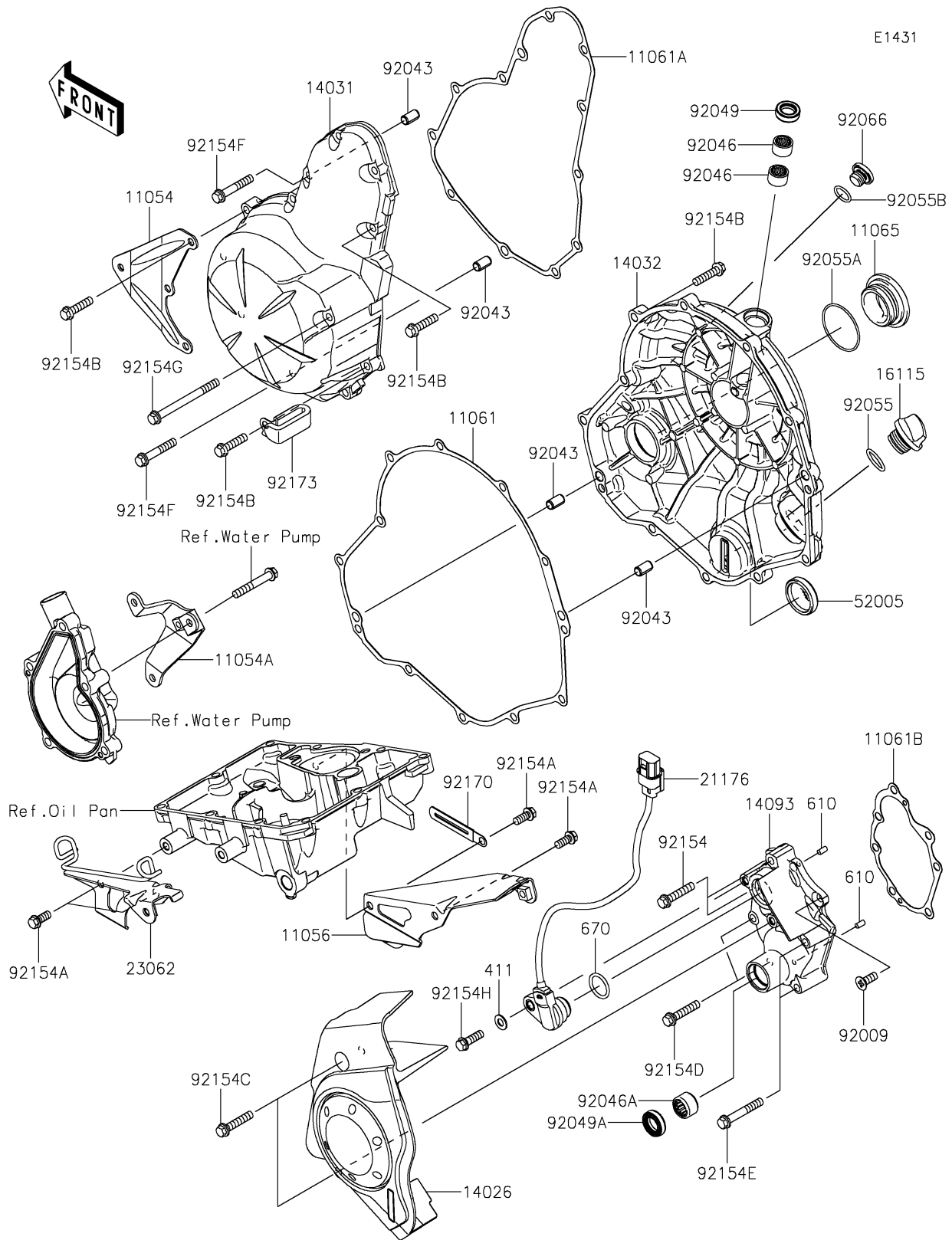


# 2022 VERSYS<sup>®</sup> 650

## PARTS DIAGRAM

### Engine Cover(s)



# 2022 VERSYS® 650

## PARTS LIST

### Engine Cover(s)

ITEM NAME	PART NUMBER	QUANTITY
BRACKET,EX.COVER,UPP,LH (Ref # 11054)	11054-0420	1
BRACKET,EX.COVER,UPP,RH (Ref # 11054A)	11054-0421	1
BRACKET,EX.COVER,LWR,RH (Ref # 11056)	11056-4298	1
GASKET,CLUTCH COVER (Ref # 11061)	11061-0164	1
GASKET,GENERATOR COVER (Ref # 11061A)	11061-0165	1
GASKET,TRANSMISSION COVER (Ref # 11061B)	11061-0166	1
CAP (Ref # 11065)	11065-1325	1
COVER-CHAIN (Ref # 14026)	14026-0129	1
COVER-GENERATOR (Ref # 14031)	14031-0096	1
COVER-CLUTCH (Ref # 14032)	14032-0115	1
COVER,TRANSMISSION (Ref # 14093)	14093-1188	1
CAP-OIL FILLER (Ref # 16115)	16115-1053	1
SENSOR,GEAR POSITION (Ref # 21176)	21176-0820	1
BRACKET-COMP (Ref # 23062)	23062-1271	1
GAUGE,OIL LEVEL (Ref # 52005)	52005-0071	1
SCREW,6X16 (Ref # 92009)	92009-1360	1
PIN,6.2X8X14 (Ref # 92043)	92043-1263	4
BEARING-NEEDLE,HK1210FM (Ref # 92046)	92046-0034	2
BEARING-NEEDLE,HK1312 (Ref # 92046A)	92046-1148	1
SEAL-OIL,CLUTCH RELEASE (Ref # 92049)	92049-1475	1
SEAL-OIL,TC13225.5 (Ref # 92049A)	92049-1519	1
RING-O,19.8MM (Ref # 92055)	92055-0844	1
RING-O,39.4MM (Ref # 92055A)	92055-0849	1
RING-O,13.0X1.9 (Ref # 92055B)	92055-1011	1
PLUG,12X9.1 (Ref # 92066)	92066-0937	1
BOLT,FLANGED,6X30 (Ref # 92154)	92154-0727	2
BOLT,FLANGED,6X14 (Ref # 92154A)	92154-0777	4
BOLT,FLANGED,6X25 (Ref # 92154B)	92154-0819	21
BOLT,FLANGED,6X30 (Ref # 92154C)	92154-1772	2

# 2022 VERSYS® 650

## PARTS LIST

### Engine Cover(s)

ITEM NAME	PART NUMBER	QUANTITY
BOLT,FLANGED,6X30 (Ref # 92154D)	92154-1773	2
BOLT,FLANGED,6X40 (Ref # 92154E)	92154-1774	2
BOLT,FLANGED,6X35 (Ref # 92154F)	92154-1779	2
BOLT,FLANGED,6X70 (Ref # 92154G)	92154-1780	1
BOLT,FLANGED,6X20 (Ref # 92154H)	92154-2130	1
CLAMP (Ref # 92170)	92170-1514	1
CLAMP (Ref # 92173)	92173-1689	1
WASHER-PLAIN,6MM (Ref # 411)	411AA0600	1
ROLLER,4X8 (Ref # 610)	610A0408	2
O RING,18MM (Ref # 670)	670D2018	1