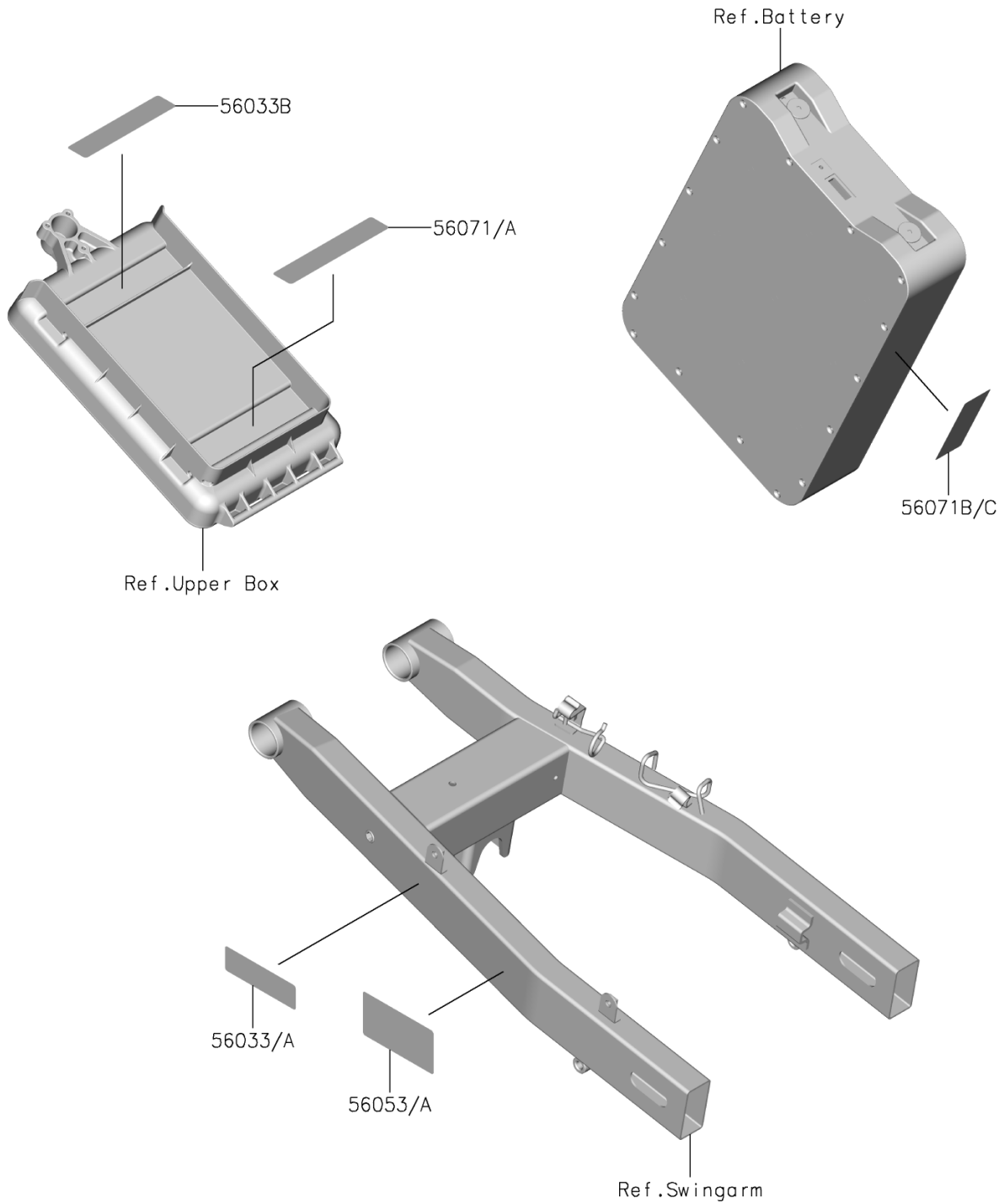


2024 NINJA® e-1 ABS

PARTS DIAGRAM

Labels

F2860



2024 NINJA[®] e-1 ABS

PARTS LIST

Labels



ITEM NAME	PART NUMBER	QUANTITY
-----------	-------------	----------
